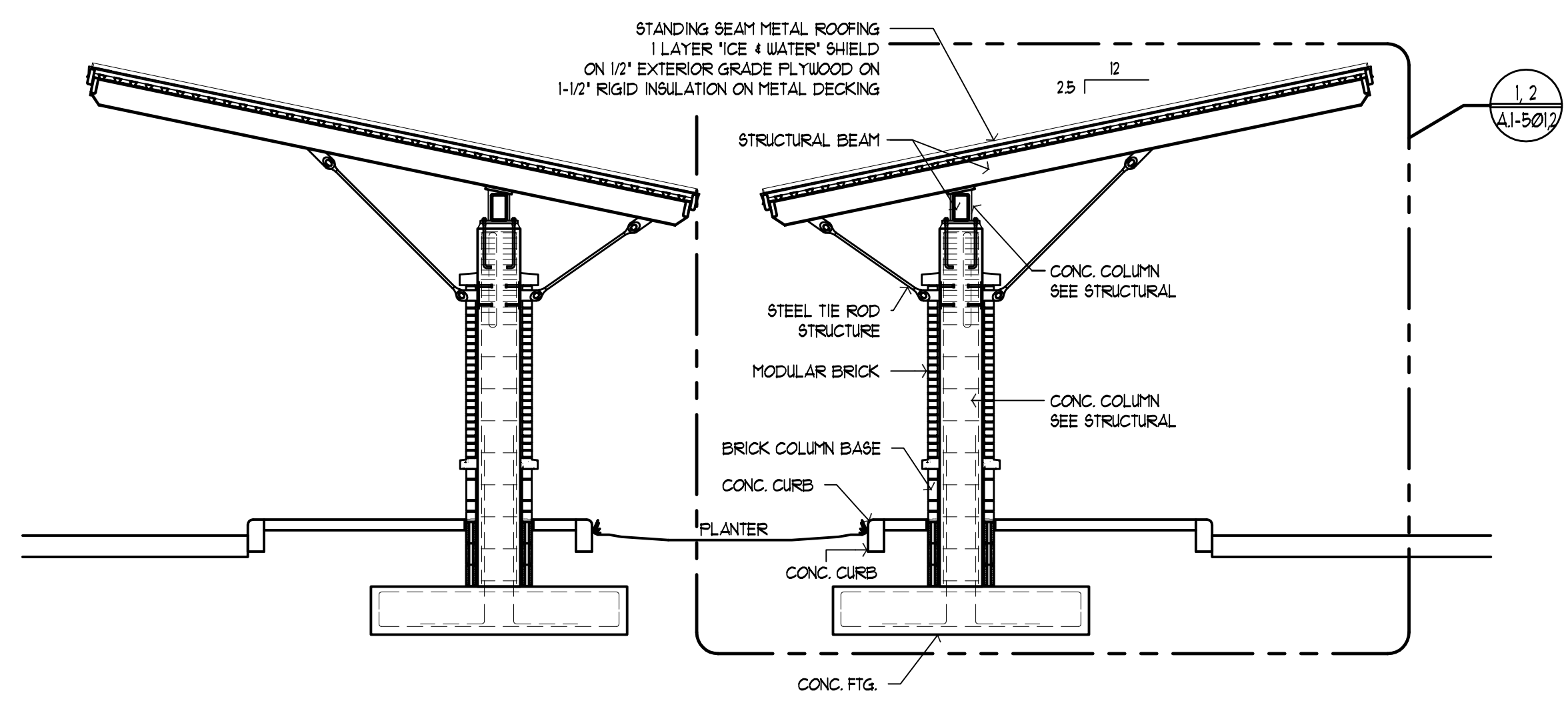


2 CANOPY SECTION
 SCALE: 3/4"=1'-0"



1 CANOPY SECTION
 SCALE: 1/4"=1'-0"

CONSULTANT:

PROJECT: **REGIONAL TRANSIT SYSTEM BUS TERMINAL**
 SOUTHEAST DEPOT AVENUE
 GAINESVILLE, FLORIDA

CLIENT: **CITY OF GAINESVILLE**
 REGIONAL TRANSIT SYSTEM
 P.O. BOX 490
 GAINESVILLE, FLORIDA 32602

DRAWING TITLE: **CANOPY SECTIONS**

NO.	REVISIONS
1	100% SEPT. 6, 2006
2	30% JAN. 27, 2006
3	100% MAY 15, 2006
4	100% SEPT. 11, 2006
5	95% SEPT. 22, 2006
6	100% SEPT. 27, 2006

60%
 30%
 100%
 95%
 100%

DRAWN BY: **GWM, RSB, DE, UGA**
 PRINTED DATE: **Sep 29, 2006 - 1:56pm**
 SHEET ID: **A1-500**

PROJECT ID: **BQ04-13**

100% CONSTRUCTION DOCUMENTS - BID SET