

INVITATION TO BID




BID NO. RTSX-180002-DS

BUS STOP AMENITIES

Submitted by Brasco International, Inc. for



Your Brasco Contact is Tiffany Vanderpuije:

-  (313) 393-0393 ext. 203
-  tmckinney@brasco.com
-  www.brasco.com



Brasco International, Inc. 1-800-893-3665
32400 Industrial Dr. info@brasco.com
Madison Heights, MI 48071 www.brasco.com

Table of Contents

02	Table of Contents
03	Statement of Compliance
04	Company Overview & Testimonials
05	Brasco Team Member Profiles
07	The Brasco Difference
08	Lead Time Process Flow
09	Standard Product Brochures
17	Related Projects
20	Engineered Drawings
21	Warranty Statement
22	Certificate of Compliance
23	DBE Letter of Good Faith Effort



Brasco International, Inc.
32400 Industrial Dr.
Madison Heights, MI 48071

1-800-893-3665
info@brasco.com
www.brasco.com



April 5, 2017

Daphne Sesco
Senior Buyer
P (850) 891-8289
F (850) 891-0967

Re: BID NO. RTSX-180002-DS Statement of Qualifications

Dear Daphyne,

Brasco International, Inc. is pleased to submit our proposal for Bus Stop Amenities per the bid documents set out by the City of Gainesville. Brasco has been a responsible and responsive bidder since 1983, partnering with hundreds of transit agencies on similar contracts. Our sales, engineering and operations teams have reviewed your specification in full and guarantee full compliance with all requirements.

Brasco has been fabricating proposed shelter types, their accessories and solar lighting systems for over 15 years. We warrant that all materials are Buy America compliant and designs will be stamped by a structural engineer to meet all relevant loadings in accordance with local, state and federal codes. These loadings include but are not limited to wind load, live load, dead load, snow load and drift load.

We're confident the quality of our shelters and the value of our customer service team cannot be surpassed. Brasco has been in business for more than 30 years and has the financial resources, fabrication expertise and technical equipment to perform this contract. Brasco is a Michigan corporation, therefore North Carolina sales tax collection does not apply to this bid. Enclosed you'll find supportive materials to all of this, including references of customers who have purchased the same shelter models as specified in your procurement.

We appreciate the opportunity to bid this project and look forward to working with you and your team. If you have any questions or require additional information please don't hesitate to call.

Sincerely,

Tiffany Vanderpuije
Sales Account Manager
(313) 393-0393 ext. 203
tmckinney@brasco.com



Brasco International, Inc.
32400 Industrial Dr.
Madison Heights, MI 48071
1-800-893-3665
info@brasco.com
www.brasco.com

35 Years, Thousands of Customers

Since 1983 Brasco International has supplied and installed thousands of transit shelters and site furnishings. We offer standard "off-the-shelf" designs as well as fully customized designs brought to us by designers and architects. Our main products include bus shelters, bike shelters, smoking shelters, wayfinding displays, site furnishings and solar lighting packages. We also have fun designing and fabricating custom shelters for BRTs and covered walkways. All Brasco products are proudly made in the USA and guaranteed to meet Buy America requirements.

We believe that operating with integrity and transparency is vital to the health of the public transit industry and necessary to maintain fair and honest competition. All levels of our business function within these values.

Quality products and a quality reputation are the highest priorities for our team, so to ensure that, we fabricate top grade materials on state-of-the-art machinery with a highly trained team of experts - all under one roof. We're committed to every project being a success for everyone involved and understand that timeliness, quality and price are of the utmost concern. With Brasco, you are in expert hands of a team that has been doing just that for over 30 years.

"Brasco has provided us with over 330 pre-fabricated bus shelters, and their quality of workmanship and on-time delivery has been exceptional."

Broward County Transit, FL

"We've developed a good relationship with Brasco and continue to be satisfied with their approach to accomplishing our objectives and the quality and utility of services, materials and equipment provided."

-Regional Transit Service, New York

"Brasco's work performance and responsiveness has always been stellar. CDTA has had contracts with Brasco for bus shelters and other street amenities for nine years and we have been very satisfied with both the service and the product."

Capital District Transportation Authority, New York

"We have been using Brasco International for several years and their service and material is exceptional. Their ability to work quickly and with reliable materials has consistently proven to be a great value. They have provided us with superior bus shelters that look professional and meet the needs of our customers at a great price."

Go Metro, Ohio

"More beautiful custom shelters!"

Utah Transit Authority, Utah

"We are receiving wonderful feedback from our customers as we install new shelters at different locations. Thank you for a great product!"

Pinellas Suncoast Transit Authority, Florida

"We are very pleased with the service Brasco has provided — from lead times, to delivery, to product reliability."

Mississippi State University, Mississippi

"MUTD's experience with Mr. Loewe is the kind of customer service that will make Brasco my first search and first call for all future purchases."

Missoula Urban Transportation District (Mountain Line), Montana



Brasco International, Inc.
32400 Industrial Dr.
Madison Heights, MI 48071

1-800-893-3665
info@brasco.com
www.brasco.com

Your Full-Time Dedicated Team

Brasco's in-house team works closely together to integrate departmental processes effectively. Primary leadership values include ongoing education, cross-departmental collaboration and personal empowerment.



Doug Pew

Chief Operating Officer

Doug has over 40 years of experience in manufacturing and product development. His experience in the transit industry dates back to 1983 when he started with Brasco as a Purchasing Agent. Now a Partner of the company, Doug is a leading authority on transit shelter design, engineering application and manufacturing effectiveness. He is the lead consultant for Brasco's sales & engineering teams for the development of new product designs. Among industry peers, Doug is revered as having an unparalleled depth of understanding in the marketplace.



Jennifer Evans

Vice President of Sales & Marketing

Jen has been in sales and sales organization for over 10 years. She is responsible for managing the in-house sales account managers as well as Brasco's extended national dealer network and collaborative partnerships. She brings strong experience in marketing, sales and entrepreneurship. She is a member of the APTA Marketing & Communications Committee and oversees Brasco's public relations, event planning, product launches and collaborative partnerships.



Brian Bauman

Lead Design Engineer

Brian has been with Brasco for over five years and has been involved in the manufacturing industry for over twelve. Brian and his team responsible for each product's design, functionality and standards. He collaboratively works with the sales management team and Brasco's clients to develop exemplary products that meet even the most challenging of specifications. Brian has extensive knowledge with various CAD design software systems and is continually improving technological efficiencies.



Derek Vancil

Operations Manager

Derek manages purchasing and logistics operations and is the primary intermediate between the engineering and operations departments.

Derek has been instrumental in streamlining Brasco's supply chain processes and standardizing its internal tracking systems. Derek maintains positive relationships between Brasco and its suppliers and ensures all materials are Buy America compliant.



Brasco International, Inc.
32400 Industrial Dr.
Madison Heights, MI 48071

1-800-893-3665
info@brasco.com
www.brasco.com

Your Full-Time Dedicated Team

Brasco's in-house team works closely together to integrate departmental processes effectively. Primary leadership values include ongoing education, cross-departmental collaboration and personal empowerment.



Sean Loewe

Sales Account Manager

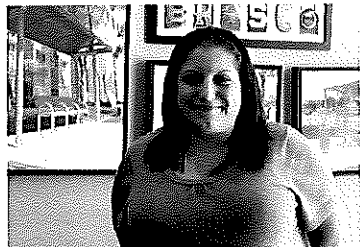
With ten years experience in the transit industry, Sean has been involved in thousands of shelter projects. He has a diverse background that provides creative solutions to difficult transit design challenges. Sean has a bachelor's degree in Business Administration from Western Michigan University and leads Brasco's team in bus shelter, BRT and custom design projects.



Tiffany Vanderpuije (McKinney)

Sales Account Manager

Tiffany has been with Brasco for over 2 years and comes from a strong marketing and communications background. She manages Brasco's Southeastern transit territory as well as all retail customers nationally. Tiffany finds particular interest in the collaborative aspect of Brasco's sale process and thrives when working with customers on new design creations.



Vanessa Bagwell

Program Manager

Vanessa plays a vital role on the Brasco team, supporting all departments and operational processes. She oversees the production schedule and maintains updates to customers throughout the order process. She manages all installation processes, as well as facilitates internal and external quality control solutions. Vanessa practiced law for several years and still maintains her attorney's license. She is diligent and focused by nature and genuinely enjoys the high level of customer interaction necessary of her position.



Cristina Sullivan

Vice President of Finance & Accounting

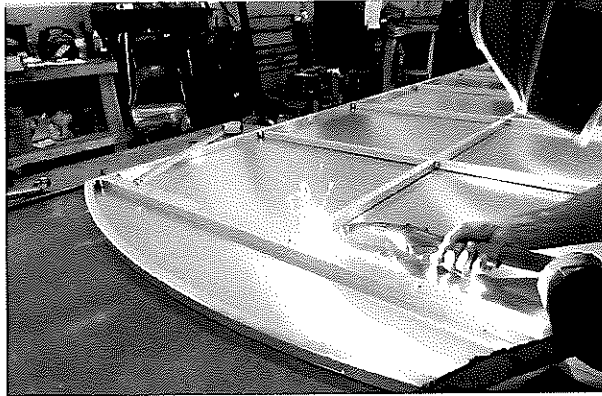
With Brasco for over eleven years, Cristina is responsible for the accounting of the company and office operations.

All financial arrangements for each order are managed by Cristina. She works collectively with the sales team to ensure orders are processed correctly, and with the purchasing & production departments to ensure materials for each project are allocated correctly.

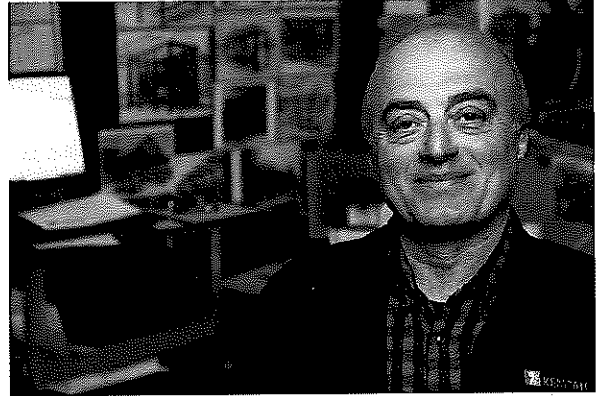


Brasco International, Inc.
32400 Industrial Dr.
Madison Heights, MI 48071

1-800-893-3665
info@brasco.com
www.brasco.com



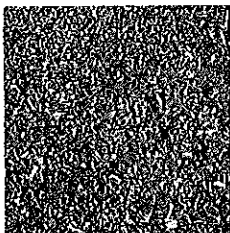
Lead Welder, 9 Year Brasco Veteran



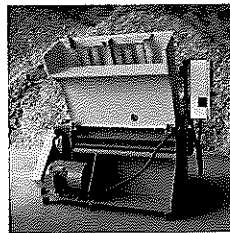
Shipping Manager, 34 Year Brasco Veteran

The Brasco Difference

- Quality Control is Maintained Under One Roof: Sales, Engineering, Operations, Fabrication, Powder Coating, Project Management
- All Products are Made in the USA and Buy America Complaint
- We Have 30+ Years of Industry Expertise in Shelter Engineering & Fabrication
- Each Customer has One Designated Sales Account Manager and Project Manager
- We Deliver Completely Pre-Assembled Roofs for Ease of Installation
- We've Been Fabricating Solar Lighting Packages for over 15 Years.
- We Operate with Best-in-Industry Technology Including CAD and Inventor Engineering Programming
- All of Our Welders are AWS Certified
- We are IWAY Certified for Meeting International Quality Operating Standards
- We're an environmentally responsible manufacturer and use recyclable aluminum, HDPE, and a zero volatile organic compound (VOC) powder coat finish.
- Our facility produces zero air, water or soil waste output, and excess materials are recycled or repurposed for future uses.



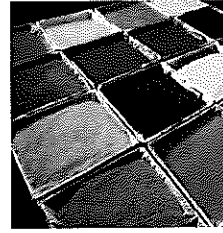
Aluminum shavings & excess drops are collected and recycled to make new extrusions & castings.



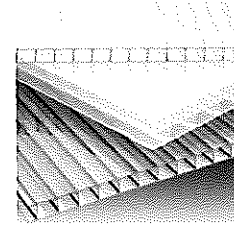
Wooden crates, pallets, and excess lumber that's used for shipping and storage are chipped and repurposed.



Office paper & cardboard is separated from regular waste and recycled.



A non-Volatile Organic Compound (VOC) powder coat is applied in-house. Brasco produces zero air, water, and ground waste through this process.



Unused plastic glazing (acrylic, polycarbonate, twin wall) is collected, sold to be melted down & repurposed.



Brasco International, Inc.
32400 Industrial Dr.
Madison Heights, MI 48071

1-800-893-3665
info@brasco.com
www.brasco.com

On Time Deliveries

Brasco's management team meets twice per week to review the production schedule and keep projects on target with scheduled shipment dates. We consider ourselves a partner to all of our customers and meeting deadlines is crucial to a successful project for everyone. We track all projected and actual dates to monitor our production cycle. Below is a snapshot of the past 90 days of shipments and a highlight of our on time delivery statistics.

⇒ 98% of Orders are Delivered on Time or Ahead of Schedule

⇒ 6% of Orders are Delivered Ahead of Schedule at an Average of 5 Days Early

JOB #	CUSTOMER NAME	STATE	STATUS	SCHEDULED SHIP	ACTUAL SHIP	SHIP DATE	QTY	PRODUCT TYPE
4708	City of Winston-Salem	NC	SHIPPED	12/30/16	1/3/17	4	23	(21) SL-0510, (2) SL-0510-C, Bench, Trash, Solar, Lean Rail
4769	Hurley Medical Center	MI	SHIPPED	12/30/16	1/4/17	5	1	SL0714, Solar, Installation & Offloading
4750	Wave Cape Fear Public Trans. Auth.	NC	SHIPPED	12/2/16	12/2/16	0	14	(14) Classic Bike Racks
4835	Wentworth Institute of Tech	MA	SHIPPED	1/5/17	1/5/17	0	1	Top and Side Flashing, Downspout Return Legs, Windskirts
4725	Christa Construction	NY	SHIPPED	12/30/16	12/30/16	0	1	EX-0510-BZ, Bench, Installation & Offloading
4719	City of Winston-Salem	NC	SHIPPED	12/30/16	1/6/17	7	4	(3) SL-0510-CL Phase 1 (1) SL-0510-CL Phase 2
4736	Outdoor Enterprises LLC	OH	SHIPPED	12/30/16	12/28/16	-2	3	(3) SL0510, LED Backlit Display, Bench, Decal
4691	Utah Transit Authority	UT	SHIPPED	12/23/16	12/29/16	6	10	(10) MN-0913-ML, Bench
4776	Tesla	CA	SHIPPED	12/30/16	12/30/16	0	3	(3) EC0516, Solar
4742	Texarkana Urban Transit District	TX	SHIPPED	12/23/16	12/30/16	7	3	(3) SL-0510, Schedule Holder, Ad Box, Solar, Bench, Trash; (12) Bench
4772	City of Monroe (Monroe Transit)	LA	SHIPPED	12/30/16	12/28/16	-2	2	(2) SL512-OF
4805	Milwaukee Transport Services	WI	SHIPPED	1/20/17	1/11/17	-9	10	(10) Dome Roofs
4759	Washington Township	OH	SHIPPED	12/30/16	12/30/16	0	1	SL0510
4760	Greater Dayton RTA	OH	SHIPPED	12/30/16	12/28/16	-2	5	(5) EC Bus Stop Poles
4752	Regency Centers	CA	SHIPPED	1/6/17	1/6/17	0	3	(3) CC-0714/D
4762	Bandes Construction	FL	SHIPPED	1/6/17	1/9/17	3	1	MN0510-C, Bench with backrest, Sch Holder
4717	MTA Business Center	NY	SHIPPED	12/23/16	12/23/16	0	1	MN-0730-CL WALLS ONLY
4839	Regional Transit Service (RGRTA)	NY	SHIPPED	1/27/17	1/17/17	-10	15	(15) Glass Panels w/ Yellow Safety Dots
4847	Macatawa Area Express	MI	SHIPPED	1/20/17	1/17/17	-3	18	Bench Slats-Cedar
4799	Highland Products Group	FL	SHIPPED	1/6/17	1/9/17	3	1	SL0510
4803	Gutierrez Construction	MA	SHIPPED	1/9/17	1/6/17	-3	1	EC-0508, Bench with Seat Divider, Forklift Extensions
4717	MTA Business Center	NY	SHIPPED	12/23/16	12/30/16	7	1	MN-0730-CL, Calcs ROOF & REMAINDER
4806	LexTran	KY	SHIPPED	1/6/17	1/9/17	3	1	EC-0508
4823	Setterlin Building Co.	OH	SHIPPED	1/13/17	1/13/17	0	1	Custom Letters
4783	Utah Transit Authority	UT	SHIPPED	1/20/17	1/20/17	0	20	(10) SL0408-C, (10) SL0616-WC, Bench with backrest
4754	JR Kelly Company	IN	SHIPPED	1/13/17	1/12/17	-1	1	(1) SL1230-WC, (2) Benches, Wind skirts
4724	Storie Construction	FL	SHIPPED	12/30/16	12/30/16	0	1	TL-0309-ML, Bench, Bike Rack, Calcs, Fork Ext
4766	Sanilac Transportation	MI	SHIPPED	1/13/17	1/20/17	7	1	SL0512, Bench, LED lights
4809	Potomac & Rappanhonock	VA	SHIPPED	1/20/17	1/23/17	3	10	(10) Schedule Holders
4814	Venegas Eng Mgmt (VEMAC)	TX	SHIPPED	1/20/17	1/13/17	-7	2	(2) SU512 Trash Can w/Bonnet Lid&Liner, Non lit Display Case, Solar, Bench w/ Armrest
4801	Centre Area Transportation Authority	PA	SHIPPED	1/20/17	1/24/17	4	1	SL0412, Bench w/backrest, lights w/photocell
4541QC1	Ponderosa Fence Enterprises	NY	SHIPPED	1/27/17	1/13/17	-14	25	(5) Aluminum Backrest, (10) Aluminum Bench Slats, (10) Bench Brackets
4788	Fort Smith Transit	AR	SHIPPED	1/20/17	1/20/17	0	10	(10) SL0510, Bench w/backrest, display case, trash can
4748	Patel Brothers	IL	SHIPPED	12/16/16	12/16/16	0		
4797	Milwaukee Transport Services	WI	SHIPPED					





PROPOSED BUS SHELTER—ARCADE SERIES SHELTER

Triangular with Integral Gutter System

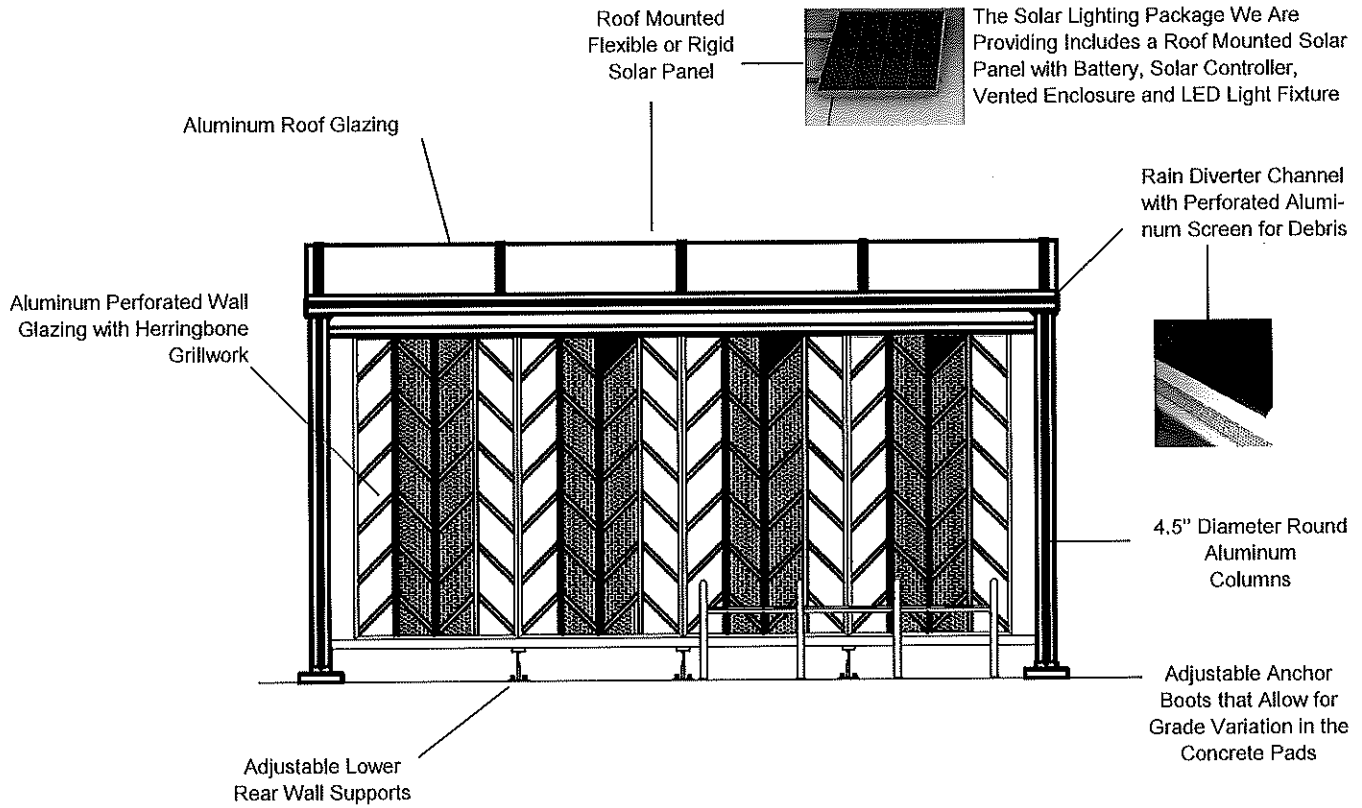
The Arcade transit shelter derives from our Eclipse series and utilizes the same column and frame components. What sets the Arcade apart is its triangular header with integrated gutter system. The Arcade is available with an arched, flat or curved roof with three glazing material options. Cantilevered roofs offer the narrowest foot-print and are ideal for limited pathways. Brasco's engineering team calculates all shelters to meet local wind, snow & seismic load requirements.



Brasco International, Inc.
32400 Industrial Dr.
Madison Heights, MI 48071

1-800-893-3665
info@brasco.com
www.brasco.com

Proposed Shelter for City of Gainesville



SPECIFICATIONS

Construction	Aluminum Frame
Widths	4.5"
Lengths	8.5', 12', 16'
Round Columns	4.5" Diameter x 1/4" Wall Thickness
Configurations	Full
Roof Style	Barrel / Dome
Roof Glazing	Aluminum
Wall Glazing	Perforated Aluminum (Standard or Herringbone Grillwork)
Powder Coat Finish	Standard RAL Color
Optional Accessories	Trash Receptacle, Bench, Map Kiosk, Solar Lighting
Hardware	Stainless Steel Anchors & Fasteners

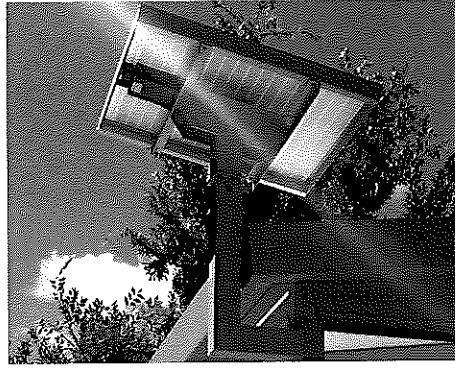


Brasco International, Inc.
 32400 Industrial Dr.
 Madison Heights, MI 48071

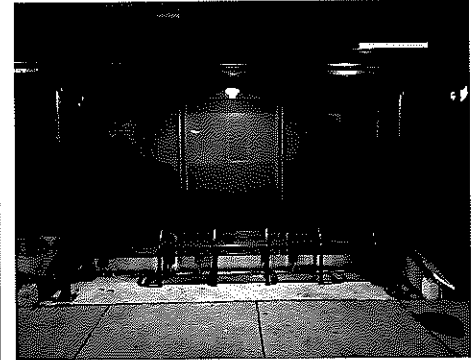
1-800-893-3665
 info@brasco.com
 www.brasco.com



PLS with 5 Wall Light Installed in Brasco Shelter



UL Listed Rigid Solar Panel



Fully Illuminated Bus Shelter

Integrated Solar Lighting System

Photovoltaic Lighting System (PLS)



Brasco's PLS is made in the USA and leads the industry in off-grid LED performance. Its features include over 50,000 operating hours of light and vandal resistant housing.

PLS Highlights

- Factory Pre-wired and Pre-assembled
- Low cost operation
- Easily branded: powder coat to color of choice
- Can be roof mounted or retrofitted to frame

Improved Safety & Experience

- Delivers safety and improves ridership confidence
- Transit stop lighting is a crime deterrent
- Reduces ridership pass-bys
- Positions transit agency as green energy leader

SOLAR POWER

Photovoltaic Panel	UL Listed, High Efficiency Multi-crystalline
Operating Temperature	-30° to 50° C (-22° to 122° F)
Module Size	30W, 40W, 50W, 65W, 100W, 120W
Maximum Operating Voltage	17V
Maximum Operating Current	12V

ILLUMINATION

LED Technology	Cool Tone White Light with High Brightness
Operating Temperature	-40° to 74° C
Power Consumption	5W
Input Voltage	12 Volts DC
Operational Lifetime	Minimum 50,000 Hours

MECHANICAL & BATTERY

Qualifications	UL Recognized Component
Autonomy	5 Day Minimum
Safety Features	Tamper Resistant Hardware
Light Module Dimensions	5 in. H x 5 in. L X 5 in. W
Voltage	12V
Amp Hours	38-180 Amp Hours

CHARGE CONTROL MODULE

Low Voltage Disconnect	Yes
Lighting Control	Dusk to Dawn Illumination

Add-Ons

Push Button Activation	Yes, Can Be Retrofitted to Shelter or Pole
------------------------	--



Brasco International, Inc.
32400 Industrial Dr.
Madison Heights, MI 48071

1-800-893-3665
info@brasco.com
www.brasco.com



6' Curveline bench with Perforated Aluminum Bench & Backrest.



Complementary Curveline Bench

Aluminum Bench with Backrest

The Curveline bench series is our most versatile and economical bench series. It's available with aluminum slats, HDPE slats, or perforated aluminum seating and features curved aluminum arm rests. The Curveline is available in standard lengths of 4', 6', 8', 10' and 12' and can be powder coated to match any shelter.

PROPOSED BENCH FOR CITY OF GAINESVILLE

Length	4', 6', 8'
Depth	20", 22", 24"
Height	17" without Backrest
Frame	Aluminum, will never rust
Seat Slats	Perforated Aluminum Seat & Backrest
Finish	Powder Coat Frame to RAL Color Preference
Anchoring	Surface Mounted
Included	Anti-Vagrant Bars, Backrest
Hardware	Stainless Steel Anchors & Fasteners



Brasco International, Inc.
 32400 Industrial Dr.
 Madison Heights, MI 48071

1-800-893-3665
 info@brasco.com
 www.brasco.com



34 Gallon Freestanding Trash Receptacle with Dome Lid

Complementary Trash Receptacle

20 Gallon & 34 Gallon Steel Trash Receptacle

The Eclipse waste receptacle offers a modern design with simple functionality. The outside frame is comprised of a perforated steel body with an optional solid middle strap for decals or signage.

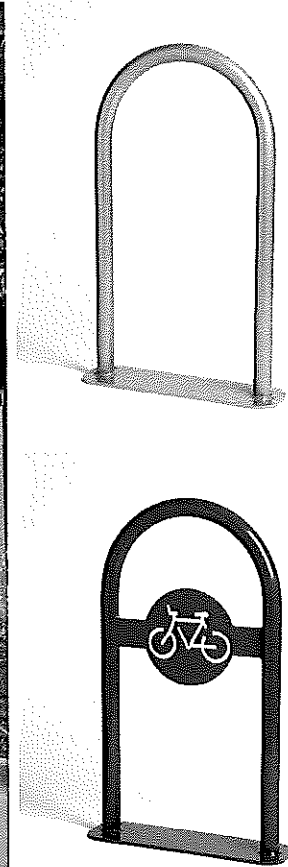
Options include a top bonnet, interior liner and mounting capability. Powder coat the Eclipse waste receptacle to any branded color of preference. Custom logos can be applied to the perforated base.

PROPOSED TRASH RECEPTACLE FOR CITY OF GAINESVILLE

Inside Diameter	15", 18"
Height	30", 44"
Capacity	20 gal., 34 gal.
Material	Steel
Finishing	Standard Powder Coat
Options (Not Included)	Dome Lid, Interior Liner, Middle Straps for Decals / logos
Mounting	Column Mounted, Surface Mounted
Hardware	Column Mounting Bracket



Brasco International, Inc.
 32400 Industrial Dr.
 Madison Heights, MI 48071
 1-800-893-3665
 info@brasco.com
 www.brasco.com



Complementary Bicycle Racks

Standard Inverted-U Aluminum Bike Rack

The Classic Hoop Series is a standard inverted-U style bike rack made from top grade aluminum, so will never rust, and is powder coated to the color of choice. It is an ideal choice to maximize bike parking and on-street space. The Classic is available in aluminum and can be surface or in-ground mounted. Tamper resistant hardware is included.

PROPOSED BICYCLE RACK FOR CITY OF GAINESVILLE

Model No.	BR-HO
O. D. Dimensions	24" W x 36" H
Material	1.900" O.D., 1 1/2" Schedule 40 Pipe, Aluminum
Base Plates (For Surface Mounting)	2 3/4" X 3/8" thick welded aluminum plates
Anchoring System (For Surface Mounting)	(4) stainless steel 3/8" wedge anchors per base plate
Hardware	Tamper resistant
Installation	Surface or in-ground mounted
Finish	Standard powder coat or anti-graffiti powder coat



Brasco International, Inc.
 32400 Industrial Dr.
 Madison Heights, MI 48071

1-800-893-3665
 info@brasco.com
 www.brasco.com

PROPOSED BUS STOP POLE WITH LIGHTING & LIT SCHEDULE HOLDER— SOLSTOP™

Solar-Powered Bus Stop Light

The SolStop™ is an ideal solution for bus stop locations without shelters or adequate security lighting. It provides push button activated security lighting through renewable solar energy with minimal to no maintenance required. Accessories include pole mounted information displays, digital bus stop (DBS), bench (attached or detached), bike rack and waste receptacle.

Brasco has been providing solar-powered lighting systems for over 20 years and offers tailored, ready-to-install packages for any location. It offers a slender design that can be ordered as a complete unit with the pole or attached to an existing transit pole.

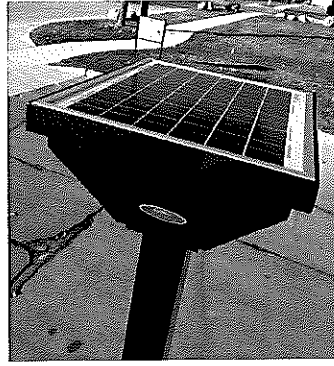


Brasco International, Inc.
32400 Industrial Dr.
Madison Heights, MI 48071

1-800-893-3665
info@brasco.com
www.brasco.com



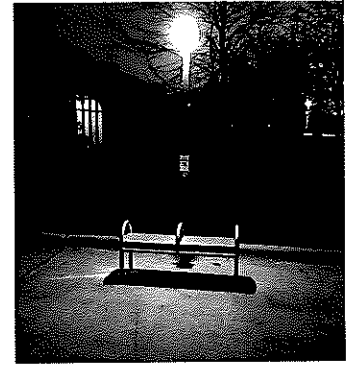
Bright White 5 Watt LED Light



10 Watt & 20 Watt Panel Options



Column Mounted Schedule Holder



20+ Foot Candles at Ground Level

SOLSTOP™

Solar-Powered Bus Stop Light



Brasco's SolStop™ is made in the USA and one of the highest performing solar bus stop lights available.

Expect a pre-wired and pre-assembled unit of exceptional quality & unparalleled off-the-grid performance.

SolStop™ Highlights

- Factory Pre-wired and Pre-assembled
- Order with or without pole
- Easily branded: Powder coat to color of choice
- ADA compliant push button activation

Improved Safety & Experience

- Delivers safety and improves ridership confidence
- Transit stop lighting is a crime deterrent
- Reduces ridership pass-bys
- Positions transit agency as green energy leader
- Better illuminates pole-mounted wayfinding

Reduced Operating Costs

- One-time expense, no monthly utility bills
- No trenching needed; reduces installation cost
- 50,000 hour LED operating life span

Specifications

SOLAR POWER

Photovoltaic Panel	High Efficiency Multi-crystalline Photovoltaic Module
Operating Temperature	-30° to 50° C (-22° to 122° F)
Module Size	10 Watt, 20 Watt
Maximum Operating Voltage	17V
Maximum Operating Current	12V

LIGHTING

LED Technology	Cool Tone White Light with High Brightness
Operating Temperature	-30° to 50° C (-22° to 122° F)
Illumination Level	20+ Foot Candles Peak, 9.0' from source
Output Color	5500K
Operational Lifetime	Minimum 50,000 Hours

MECHANICAL & BATTERY

Existing Pole Acceptance	1.75", 2", 2.5", 3" Square. Custom attachments available.
Brasco Pole Height	9 ft., 10 ft., 12ft.
Brasco Pole Dimensions	3 in. W x 3 in. W X 1/4" Thick
Light Module Dimensions	12 in. H x 18 in. L X 12 in. W
Maximum Operating Voltage	18V
Maximum Operating Current	12V

CHARGE CONTROL MODULE

<i>Monitors charging & discharging of battery. Factory programmed for optimal illumination increments.</i>	
Operating Temperature	-30° to 50° C (-22° to 122° F)
Operating Voltage	0 to 30 V
Input Current	0 to 45A
Output Current	0 to 75mA
Low Voltage Disconnect	Yes
Lighting Control	Automatic or On Demand

FINISHING OPTIONS

Standard Powder Coat, Anti-Graffiti Powder Coat

ACCESSORIES

White & Black "Press for Light" Sign	Vinyl Decal (Standard), Acrylic Sign with Braille (Option)
Other	Digital Bus Stop (DBS), Map Case, Bench, Bike Rack, Waste Receptacle



Brasco International, Inc.
32400 Industrial Dr.
Madison Heights, MI 48071

1-800-893-3665
info@brasco.com
www.brasco.com

Previous Project Reference

City of Gainesville, Florida, 2014-2015

MODEL# AR-0816 8' x 16' Arcade Shelter with Bronze Roof, Custom Herringbone Grillwork, Integrated Map Case, Perforated Aluminum Bench & Trash Receptacle



Brasco International, Inc.
32400 Industrial Dr.
Madison Heights, MI 48071

1-800-893-3665
info@brasco.com
www.brasco.com

Previous Project Reference

Greater Hartford Transit District, Connecticut 2014-2017

MODEL# AR-0612: 6' x 12' Arcade Shelter with Barrel Style Roof, Map Case Display, Advertising Display, Solar Powered Lighting and Free-standing Bench.



Brasco International, Inc.
32400 Industrial Dr.
Madison Heights, MI 48071

1-800-893-3665
info@brasco.com
www.brasco.com

Previous Project Reference

Pittsburgh Downtown Partnership, Pennsylvania, 2016

MODEL# SOL-20: SolStop with 20 Watt Solar Panel, 5 Watt LED Light and Push Button Activation.



Brasco International, Inc.
32400 Industrial Dr.
Madison Heights, MI 48071

1-800-893-3665
info@brasco.com
www.brasco.com

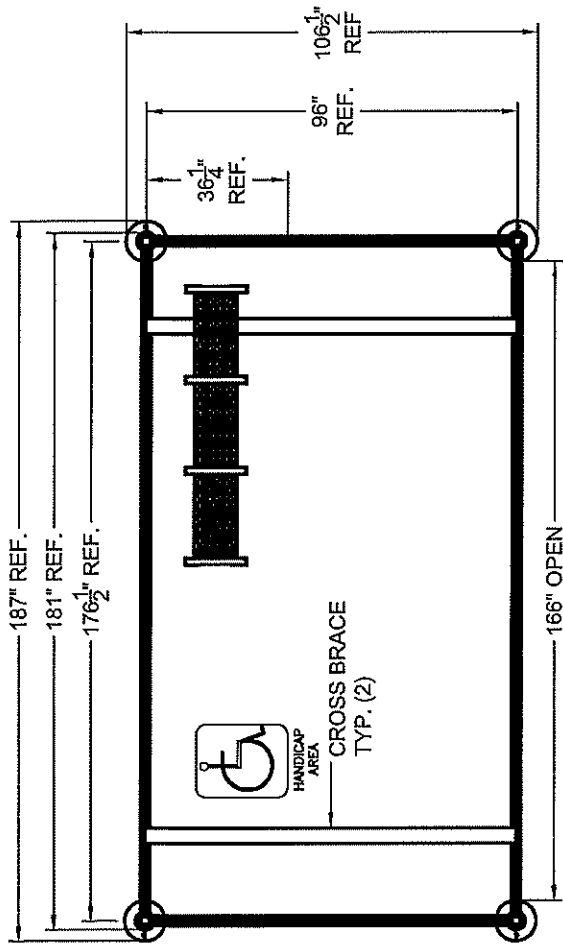
Enclosed Engineered Drawings

Enclosed are Brasco's engineered drawings and renderings for the specified product(s). NOTE: Shelter drawings may not be final and will be tailored to meet the precise bid specifications upon award and with the procuring office's final design approval.

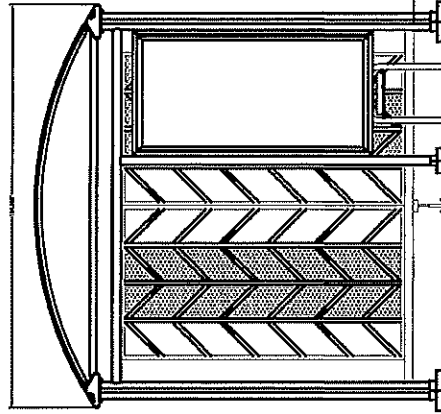
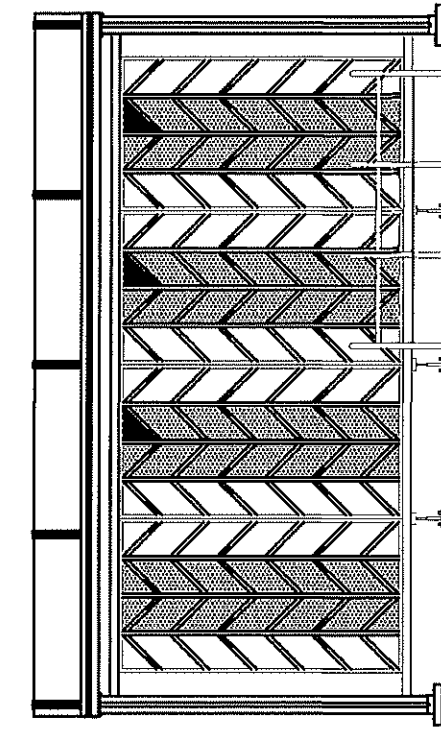
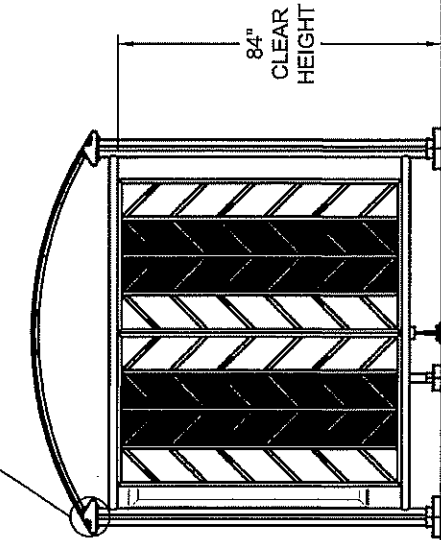


Brasco International, Inc.
32400 Industrial Dr.
Madison Heights, MI 48071

1-800-893-3665
info@brasco.com
www.brasco.com



PLAN VIEW



8 3/16"

QUANTITY (xx) SHELTERS THUS
SPECIFICATIONS:

- POWDER COATED ALUMINUM STRUCTURE (RAL 7048)
- BRONZE LEXAN BARREL VAULT ROOF WITH FASCIA/GUTTER SYSTEM
- PERFORATED CURVE LINE BENCH
- CUSTOM HERRINGBONE GRILLWORK INFILL PANELS
- SCHEDULE HOLDER
- TRASH RECEPTACLE (NOT SHOWN)

CUSTOMER: BRASCO INTERNATIONAL

PROJECT: BARREL VAULT STYLE TRANSIT SHELTER

MODEL: ARCADE SERIES - AC0816-BV-AC-25-CU

ENGINEER: ZTL/BMB

DATE: 6-9-14

CHECKER: X
DATE: X-X-X
SHEET #: 3793-1

#1609699E

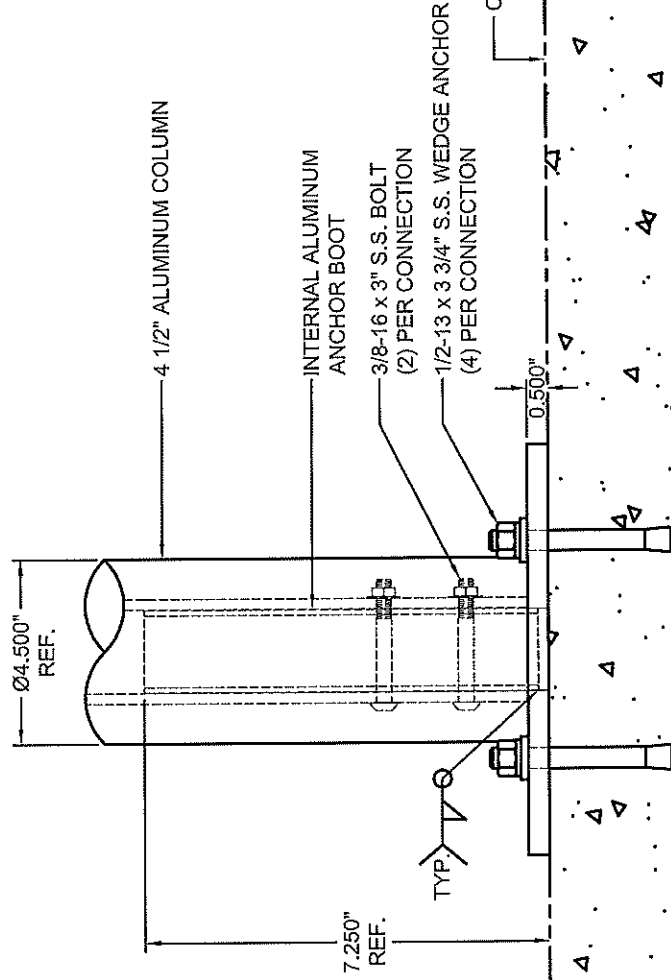
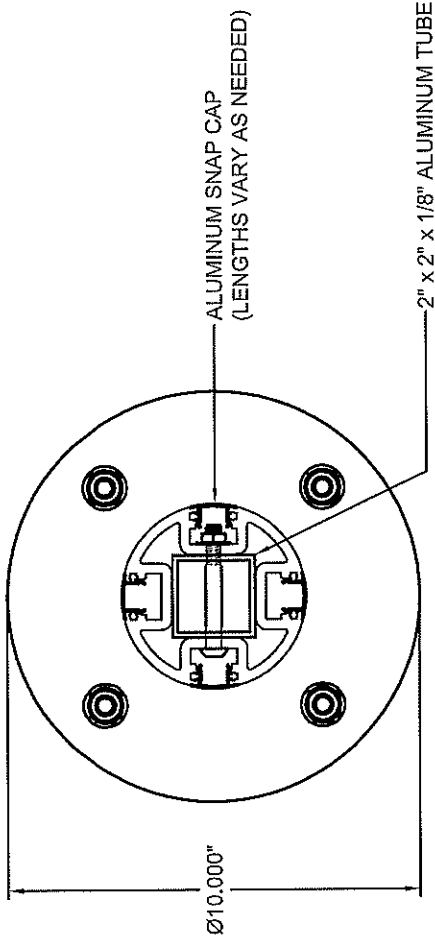
BRASCO INTERNATIONAL, INC.

32400 INDUSTRIAL DRIVE
MADISON HEIGHTS, MICHIGAN 48071
1-800-893-3665 WWW.BRASCO.COM

THIS DRAWING IS CONFIDENTIAL AND IS FOR THE SOLE USE OF
OUR CUSTOMERS AND MAY NOT BE REPRODUCED OR COPIED
WITHOUT WRITTEN PERMISSION FROM BRASCO INTERNATIONAL.
LEAD TIME BEGINS UPON RECEIPT OF SIGNED APPROVAL.

SIGNED: _____ DATE: _____





#160989E

BRASCO INTERNATIONAL, INC.
 32400 INDUSTRIAL DRIVE
 MADISON HEIGHTS, MICHIGAN 48071
 1-800-893-3665 WWW.BRASCO.COM

THIS DRAWING IS CONFIDENTIAL AND IS FOR THE SOLE USE OF OUR CUSTOMERS AND MAY NOT BE REPRODUCED OR COPIED WITHOUT WRITTEN PERMISSION FROM BRASCO INTERNATIONAL. LEAD TIME BEGINS UPON RECEIPT OF SIGNED APPROVAL.

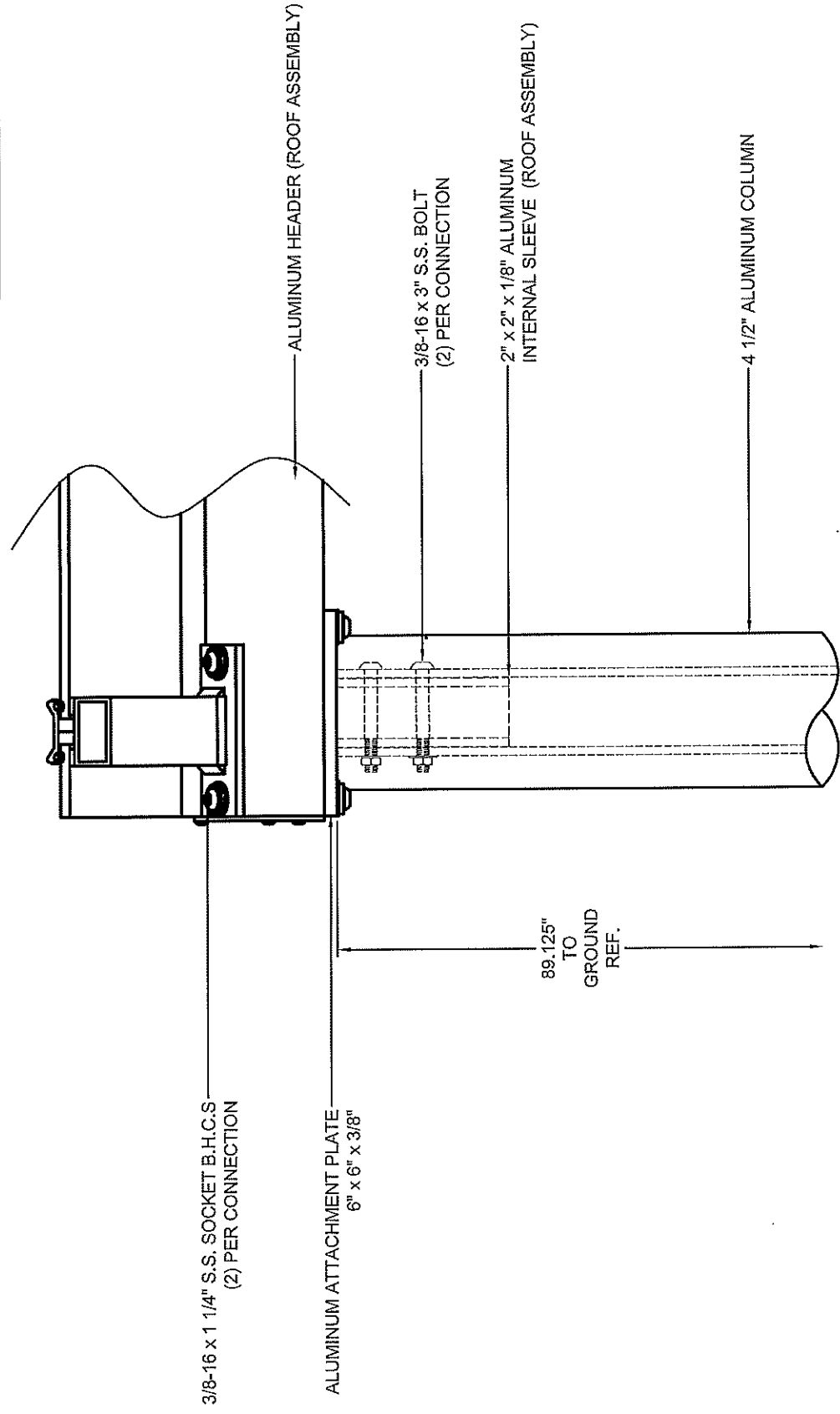
CUSTOMER: BRASCO INTERNATIONAL
 PROJECT: ARCADE STYLE TRANSIT SHELTER DETAILS
 MODEL: SHELTER ANCHORING

ENGINEER: ZTL
 DATE: 6-4-14
 CHECKER: BMB
 DATE: 6-4-14
 SHEET #: 1

SIGNED: _____ DATE: _____

JOB # ARC-DET

NOTE: ROOF ARRIVES FULLY ASSEMBLED

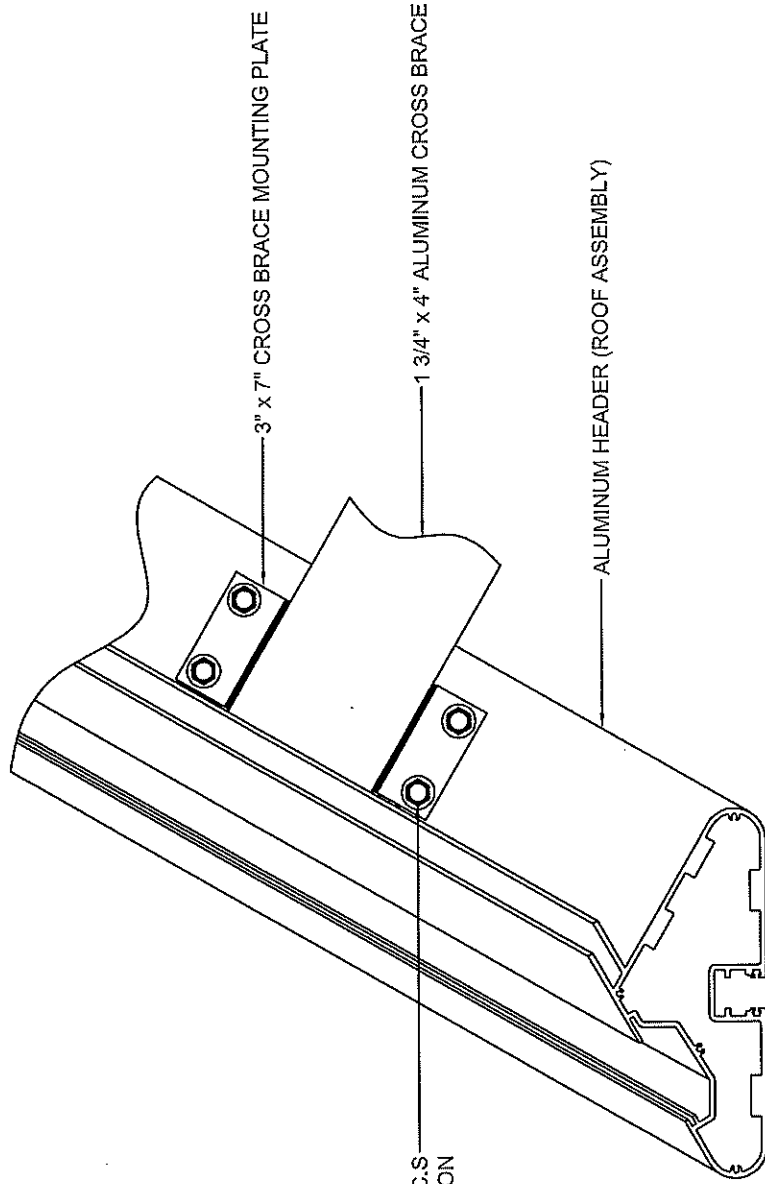


BRASCO INTERNATIONAL, INC.
 32400 INDUSTRIAL DRIVE
 MADISON HEIGHTS, MICHIGAN 48071
 1-800-893-3665 WWW.BRASCO.COM

THIS DRAWING IS CONFIDENTIAL AND IS FOR THE SOLE USE OF OUR CUSTOMERS AND MAY NOT BE REPRODUCED OR COPIED WITHOUT WRITTEN PERMISSION FROM BRASCO INTERNATIONAL. LEAD TIME BEGINS UPON RECEIPT OF SIGNED APPROVAL.

CUSTOMER:	BRASCO INTERNATIONAL	ENGINEER:	ZTL
PROJECT:	ARCADE STYLE TRANSIT SHELTER DETAILS	DATE:	6-4-14
MODEL:	HEADER ATTACHMENT TO COLUMN	CHECKER:	BMB
		DATE:	6-4-14
		SHEET #:	2

SIGNED: _____ DATE: _____



3/8-16 x 1 1/4" S.S. SOCKET B.H.C.S.
(4) PER CONNECTION

3" x 7" CROSS BRACE MOUNTING PLATE

1 3/4" x 4" ALUMINUM CROSS BRACE

ALUMINUM HEADER (ROOF ASSEMBLY)

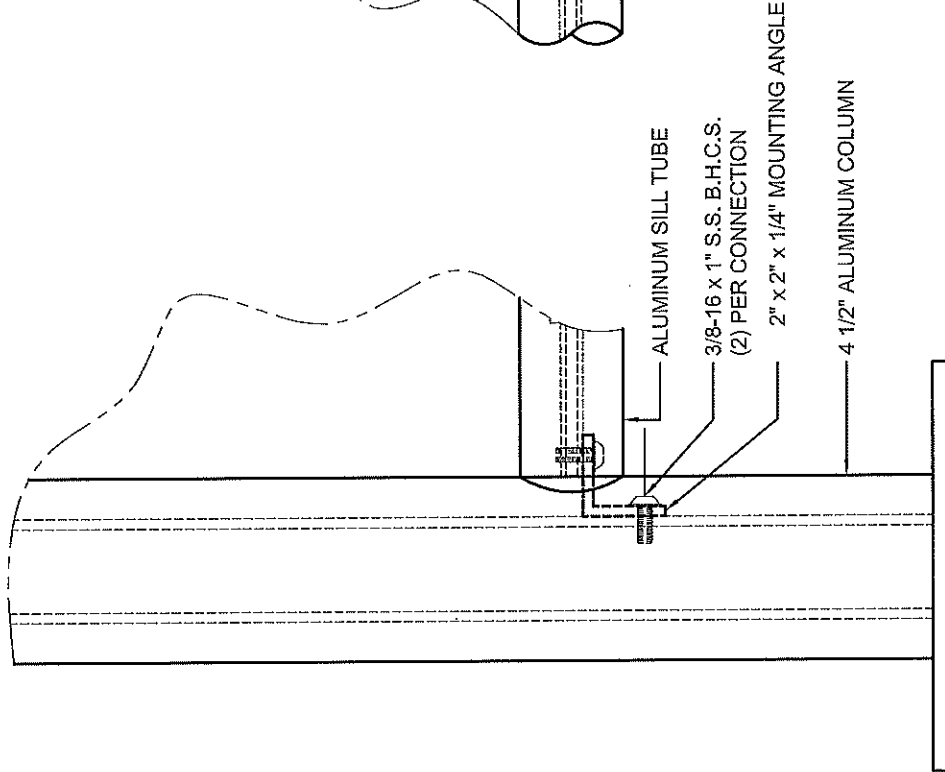
BRASCO INTERNATIONAL, INC.

32400 INDUSTRIAL DRIVE
MADISON HEIGHTS, MICHIGAN 48071
1-800-893-3665 WWW.BRASCO.COM

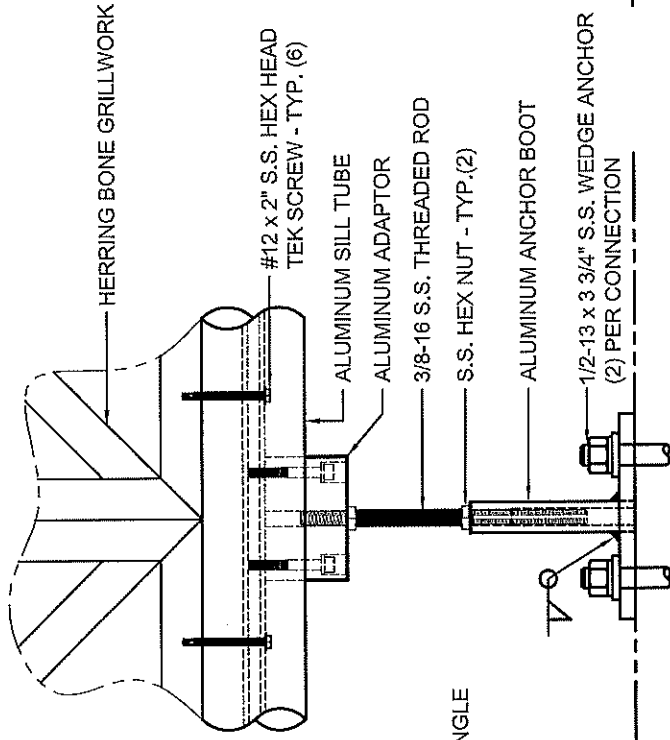
THIS DRAWING IS CONFIDENTIAL AND IS FOR THE SOLE USE OF
OUR CUSTOMERS AND MAY NOT BE REPRODUCED OR COPIED
WITHOUT WRITTEN PERMISSION FROM BRASCO INTERNATIONAL.
LEAD TIME BEGINS UPON RECEIPT OF SIGNED APPROVAL.

SIGNED: _____ DATE: _____

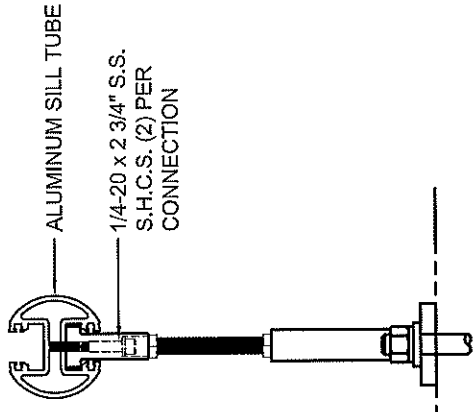
CUSTOMER:	BRASCO INTERNATIONAL	ENGINEER:	ZTL
PROJECT:	ARCADE STYLE TRANSIT SHELTER DETAILS	DATE:	6-4-14
MODEL:	CROSS BRACE TO HEADER ATTACHMENT	CHECKER:	BMB
		DATE:	6-4-14
		JOB #	ECL-DET
		SHEET #	3



VIEW AT COLUMN CONNECTION



FRONT VIEW AT SILL SUPPORT



SIDE VIEW AT SILL SUPPORT

BRASCO INTERNATIONAL, INC.

32400 INDUSTRIAL DRIVE
 MADISON HEIGHTS, MICHIGAN 48071
 1-800-893-3665 WWW.BRASCO.COM

THIS DRAWING IS CONFIDENTIAL AND IS FOR THE SOLE USE OF OUR CUSTOMERS AND MAY NOT BE REPRODUCED OR COPIED WITHOUT WRITTEN PERMISSION FROM BRASCO INTERNATIONAL. LEAD TIME BEGINS UPON RECEIPT OF SIGNED APPROVAL.

SIGNED: _____ DATE: _____

CUSTOMER: BRASCO INTERNATIONAL

PROJECT: ARCADE STYLE TRANSIT SHELTER DETAILS

MODEL: SILL ATTACHMENT AND CONNECTIONS

JOB # ARC-DET

CHECKER: BMB

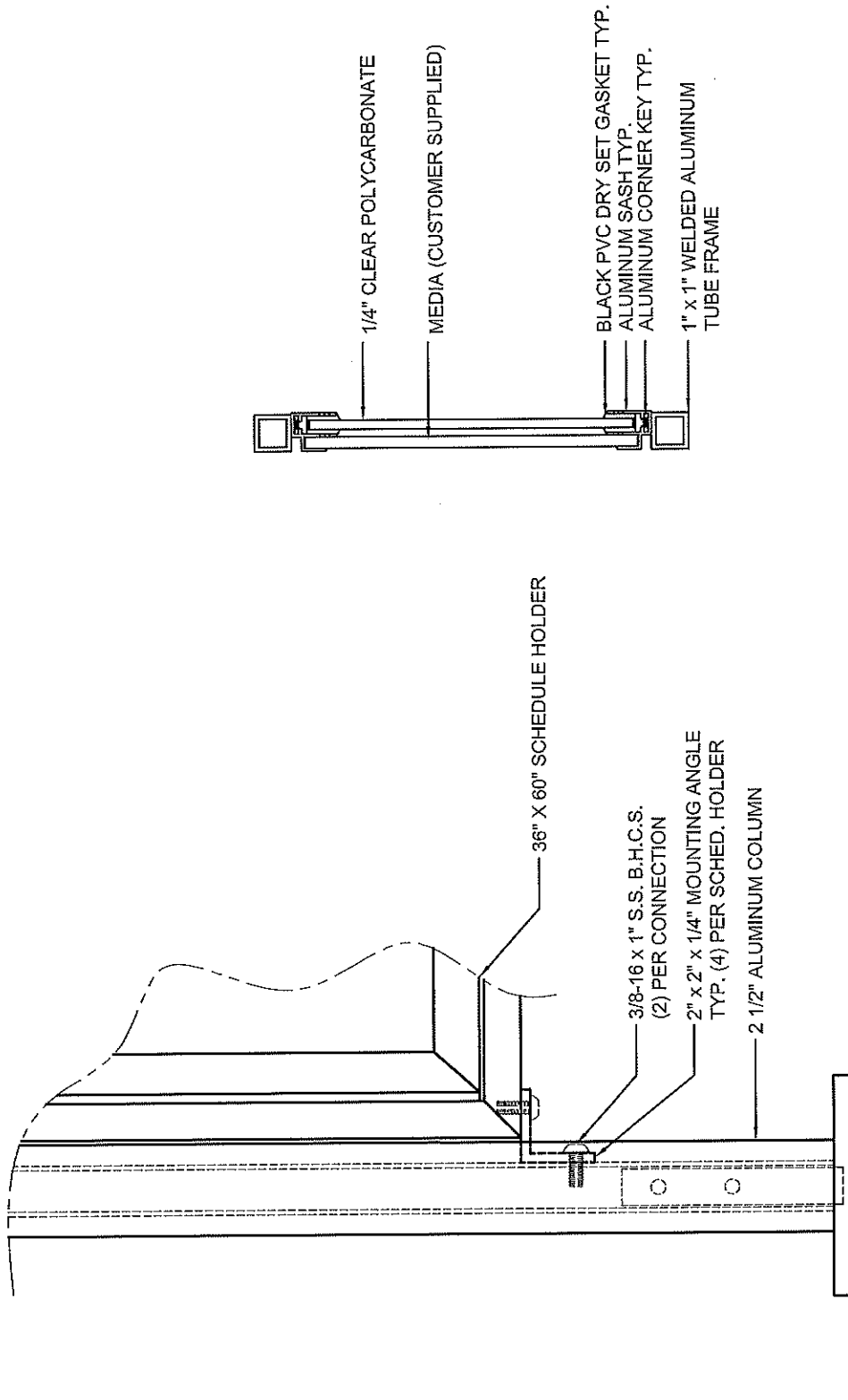
DATE: 6-4-14

ENGINEER: ZTL

DATE: 6-4-14

DATE: 6-4-14

SHEET #: 3



1/4" CLEAR POLYCARBONATE
 MEDIA (CUSTOMER SUPPLIED)
 BLACK PVC DRY SET GASKET TYP.
 ALUMINUM SASH TYP.
 ALUMINUM CORNER KEY TYP.
 1" x 1" WELDED ALUMINUM
 TUBE FRAME

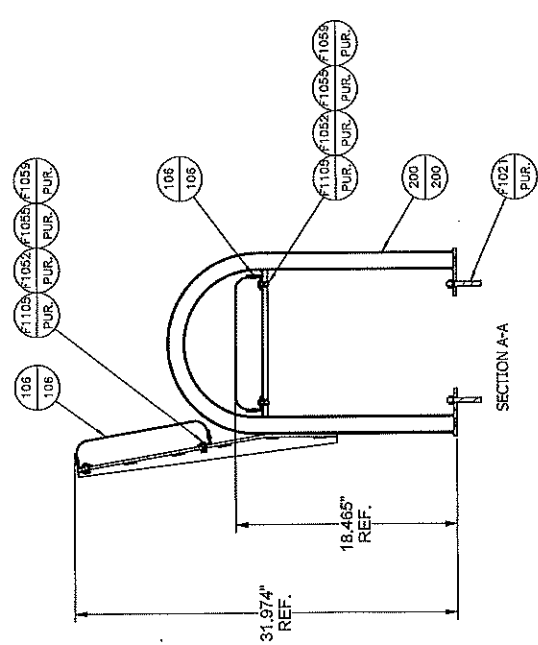
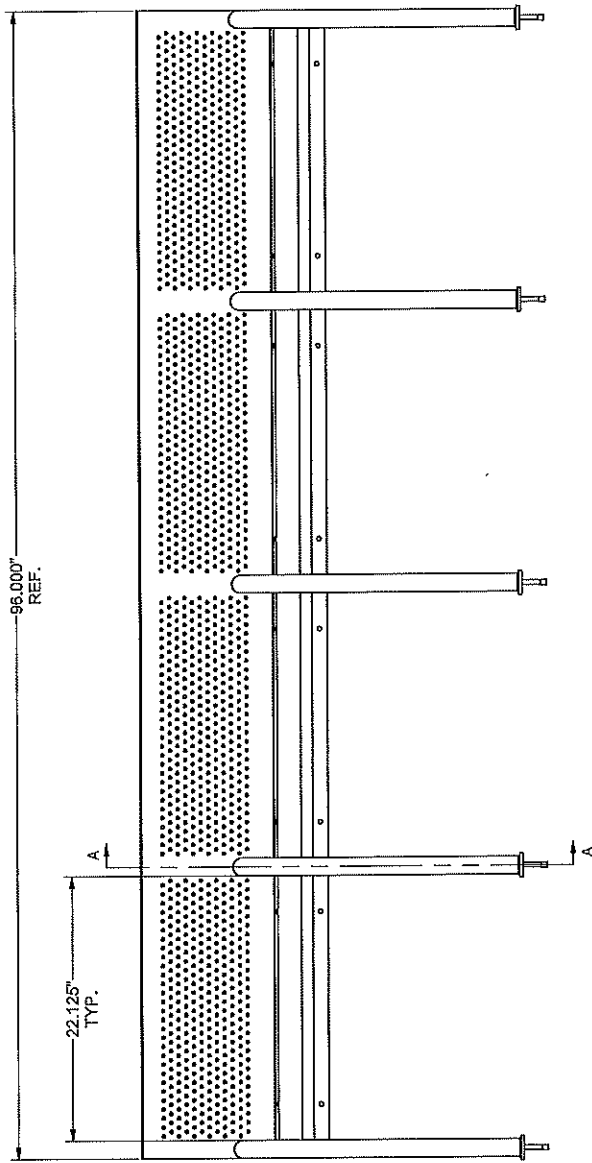
36" X 60" SCHEDULE HOLDER
 3/8-16 x 1" S.S. B.H.C.S.
 (2) PER CONNECTION
 2" x 2" x 1/4" MOUNTING ANGLE
 TYP. (4) PER SCHED. HOLDER
 2 1/2" ALUMINUM COLUMN

BRASCO INTERNATIONAL, INC.
 32400 INDUSTRIAL DRIVE
 MADISON HEIGHTS, MICHIGAN 48071
 1-800-893-3665 WWW.BRASCO.COM

THIS DRAWING IS CONFIDENTIAL AND IS FOR THE SOLE USE OF
 OUR CUSTOMERS AND MAY NOT BE REPRODUCED OR COPIED
 WITHOUT WRITTEN PERMISSION FROM BRASCO INTERNATIONAL.
 LEAD TIME BEGINS UPON RECEIPT OF SIGNED APPROVAL.

CUSTOMER:	BRASCO INTERNATIONAL	ENGINEER:	HAUS
PROJECT:	ARCADE STYLE TRANSIT SHELTER DETAILS	DATE:	9-3-13
MODEL:	SILL ATTACHMENT AND CONNECTIONS	CHECKER:	BDH
		DATE:	9-4-13
		JOB #	ARC-DET
		SHEET #:	4

SIGNED: _____ DATE: _____



BRASCO INTERNATIONAL SUB ASSEMBLY PARTS LIST						
ITEM	QTY	SHT	DESCRIPTION	MODEL NUMBER	PART NUMBER	NOTES
106	2	106	CURVELINE PERF. BENCH SLAT ASSEMBLY (96.000)	BE-CL-106		SEE DWG.
200	5	200	CURVELINE PERF. BENCH BRACKET/WBACKREST	BE-CL-200		SEE DWG.
F1021	10	PUR.	3/8" X 2.34" S/S WEDGE ANCHOR		F1021	
F1052	12	PUR.	1/4" S.S. FLAT WASHER		F1052	
F1065	12	PUR.	1/4" S.S. LOCKWASHER		F1065	
F1069	12	PUR.	1/4-20 S.S. HEX NUT		F1069	
F1105	12	PUR.	1/4-20 X 3/4" S/S TORX SCREW		F1105	

MODEL #BE-CL-8-P-BK
 CURVELINE PERF. BENCH W/BACKREST (96.000)
 (SEE BOM) REQ'D - SUB ASSEMBLY
 SEE PARTS LIST

CUSTOMER: BRASCO INTERNATIONAL
 PROJECT: CURVELINE PERFORATED BENCHES
 MODEL: BE-CL-8-P-BK

DESIGNER: BMB
 DATE: 10/20/16
 CHECKER: NCR
 DATE: 10/20/16
 REVISION: A

BRASCO INTERNATIONAL, INC.
 32400 INDUSTRIAL DR.
 MADISON HEIGHTS, MICHIGAN 48071
 1-800-893-3665 WWW.BRASCO.COM

THIS DRAWING IS CONFIDENTIAL AND IS FOR THE SOLE USE OF OUR CUSTOMERS AND MAY NOT BE REPRODUCED OR COPIED WITHOUT WRITTEN PERMISSION FROM BRASCO INTERNATIONAL.



BRASCO INTERNATIONAL, INC.
 32400 INDUSTRIAL DRIVE
 MADISON HEIGHTS, MICHIGAN 48071
 1-800-893-3665 WWW.BRASCO.COM

THIS DRAWING IS CONFIDENTIAL AND IS FOR THE SOLE USE OF OUR CUSTOMERS AND MAY NOT BE REPRODUCED OR COPIED WITHOUT WRITTEN PERMISSION FROM BRASCO INTERNATIONAL. LEAD TIME BEGINS UPON RECEIPT OF SIGNED APPROVAL.

SIGNED: _____ DATE: _____

Manufacturer's Warranty Statement

Components not manufactured by Brasco International, Inc. shall be covered by their relevant manufacturer's warranty. Brasco International, Inc. shelters must be installed in accordance with the installation instructions. The workmanship, design and machined components on the Products are warranted to conform to the applicable specifications and to be free from defects in workmanship and materials for the relevant period listed in Fig. 1.

All warranties begin from the date of delivery (DOD). Brasco will transfer ownership and good title to the Products free and clear of liens and rights of third parties. THE FOREGOING WARRANTIES ARE EXCLUSIVE AND ARE IN LIEU OF ALL OTHER WARRANTIES OR REPRESENTATIONS, EXPRESS OR IMPLIED, ARISING BY LAW OR CUSTOM, INCLUDING IMPLIED WARRANTIES OF MERCHANTABILITY AND FITNESS FOR A PARTICULAR PURPOSE. ALL IMPLIED WARRANTIES ARE HEREBY EXPRESSLY DISCLAIMED.

FIG. 1: STANDARD PRODUCT WARRANTIES FROM DATE OF DELIVERY

General Product Workmanship	1 Year
Photovoltaic Panels	20 years
Mounting Hardware	3 years
LED Light Fixture & Engine	3 Years
Wire Harnesses and Connectors	3 Years
Solar Charge Controller	5 Years
Solar Batteries	3 Year Proration (0-12 months: 100%, 13-24 months: 50%, 25-36 months: 25% refunded / applied)
Powder Coat Finish	5 Years
SolStop™ Pole & Light Housing	3 Years



Certificate of Compliance

Date 04-04-2017
Supplier Brasco International, Inc.
Customer City of Gainesville
Project BUS SHELTERS & AMENITIES

This document certifies that all products listed below shall be manufactured by Brasco International, Inc. in conformance with all applicable specifications, drawings, and/or standards of all articles furnished by the Customer and for the Project listed above. These products will be manufactured, inspected and tested under controlled conditions and shall comply with applicable quality and origination requirements. This document also certifies that supplied components not produced by Brasco shall be received, inspected and handled appropriately under controlled conditions.

Part Number	Description	Quantity
AR-0509-BV	4.5' X 8.5' ARCADE SHELTER WITH ALUMINIUM BARREL ROOF, 4.5" ROUND COLUMNS, ALUMINUM PERFORATED WALL GLAZING	ANY
AR-0512-BV	4.5' X 12' ARCADE SHELTER WITH ALUMINIUM BARREL ROOF, 4.5" ROUND COLUMNS, ALUMINUM PERFORATED WALL GLAZING	ANY
AR-0516-BV	4.5' X 16' ARCADE SHELTER WITH ALUMINIUM BARREL ROOF, 4.5" ROUND COLUMNS, ALUMINUM PERFORATED WALL GLAZING	ANY
SOL	SOLSTOP WITH PUSH BUTTON ACTIVATION & SCHEDULE HOLDER	ANY
SK	SOLAR POWERED LIGHTING	ANY
DC	SINGLE SIDED KIOSK UNIT	ANY
BR-IN	INVERTED-U BIKE RACK	ANY
BE-CU-4-P	4' PERFORATED ALUMINIUM CURVELINE BENCH	ANY
BE-CU-6-P	6' PERFORATED ALUMINIUM CURVELINE BENCH	ANY
BE-CU-8-P	8' PERFORATED ALUMINIUM CURVELINE BENCH	ANY
TR-20, TR-34	20 & 34 GAL TRASH RECEPTACLE WITH LINER	ANY



Tiffany Vanderpuije
 Sales Account Manager



Brasco International, Inc.
 32400 Industrial Dr.
 Madison Heights, MI 48071

1-800-893-3665
 info@brasco.com
 www.brasco.com

DBE Letter of Good Faith

April 4, 2017

Daphyne SESCO
Senior Buyer
P (352) 334-5021
F (352) 334-3163

Re: Letter of Good Faith Regarding Specified DBE Goal

Mr. Daphyne,

As a long established manufacturer of passenger waiting shelters for transit agencies throughout the United States, Brasco International, Inc. maintains an ongoing search for reliable Disadvantaged Business Enterprise (DBE) manufacturers of various components used in the construction of our shelters and accessories. In addition to material suppliers, we continually add contract installers and freight carriers to our DBE partner database.

Our shelters are fabricated from aluminum extrusions, glass, recycled plastic and various fasteners at our manufacturing facility in Madison Heights, MI. There are very limited suppliers of these raw materials and we purchase directly from them. Brasco fabricates all products at its Madison Heights facility and does not subcontract work to outside companies.

It is our intent to use a DBE certified company for the freight portion of this procurement, should the price be a fair and reasonable market value when compared to other freight companies for the services required to meet this procurement's requirements. The freight companies we are making good faith efforts with to meet your DBE goal are listed below.

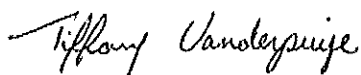
Red Arrow Logistics	(425) 747-7914	150 120th Ave NE, Suite F110, Bellevue, WA 98005
Cargo Transit Inc.	(936) 894-1161	PO Box 792, Weaverville, NC 28787

Freight costs fluctuate due to various reasons including but not excluded to timing, availability, quantity and distance. That said, we are committed to trying to meet the specified DBE goal, however the precise final DBE percentage may vary due to possible freight cost variances at the time of shipment.

Brasco International Inc. maintains a diverse workforce and is located in an urban setting in Madison Heights, MI, located outside greater metro Detroit, MI. We have a strict non-discrimination policy and are proud to employ the wide range of diverse employees that make up our 65+ member work force.

We appreciate the opportunity to provide this proposal and look forward to working with you and your staff on this project. If you have any questions or require additional information please do not hesitate to give me a call.

Sincerely,



Tiffany Vanderpuije
Sales Account Manager
(313) 393-0393 ext. 203
tmckinney@brasco.com



Brasco International, Inc.
32400 Industrial Dr.
Madison Heights, MI 48071
1-800-893-3665
info@brasco.com
www.brasco.com

Enclosed Bid Documents

Enclosed are Brasco's completed bid documents as required per the specification. These documents include:

1. Price Proposal
2. Executed Required Bid Documents
3. Certificate of Compliance



Brasco International, Inc.
32400 Industrial Dr.
Madison Heights, MI 48071

1-800-893-3665
info@brasco.com
www.brasco.com

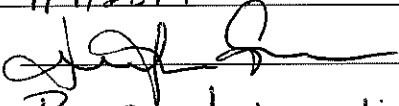
BUY AMERICA CERTIFICATION
(Sign either compliance or non-compliance, not both)

The [bidder or offeror] must submit to City of Gainesville the appropriate Buy America certification below with its [bid or offer]. Bids or offers that are not accompanied by a completed Buy America certification will be rejected as nonresponsive.

In accordance with 49 C.F.R. § 661.6, for the procurement of steel, iron or manufactured products, use the certifications below.

Certificate of Compliance with Buy America Requirements

The bidder or offeror hereby certifies that it will comply with the requirements of 49 U.S.C. 5323(j)(1) and the applicable regulations in 49 C.F.R. Part 661.

Date 4/4/2017
Signature 
Company Brasco International, Inc.
Name Jennifer Evans
Title Vice President of Sales & Marketing

Certificate of Non-Compliance with Buy America Requirements

The bidder or offeror hereby certifies that it cannot comply with the requirements of 49 U.S.C. 5323(j), but it may qualify for an exception to the requirement pursuant to 49 U.S.C. 5323(j)(2), as amended, and the application regulations in 49 C.F.R. § 661.7.

Date _____
Signature _____
Company _____
Name _____
Title _____

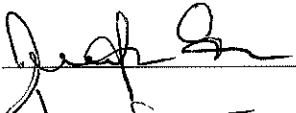
**TO BE RESPONSIVE THIS FORM MUST BE COMPLETED, SIGNED AND RETURNED WITH BID RESPONSE
TO BE CONSIDERED FOR AWARD.**

CERTIFICATION REGARDING LOBBYING

The undersigned certifies, to the best of his or her knowledge and belief, that:

1. No Federal appropriated funds have been paid or will be paid, by or on behalf of the undersigned, to any person for influencing or attempting to influence an officer or employee of an agency, a Member of Congress, an officer or employee of Congress, or an employee of a Member of Congress in connection with the awarding of any Federal contract, the making of any Federal grant, the making of any Federal loan, the entering into of any cooperative agreement, and the extension, continuation, renewal, amendment, or modification of any Federal contract, grant, loan, or cooperative agreement.
2. If any funds other than Federal appropriated funds have been paid or will be paid to any person for influencing or attempting to influence an officer or employee of any agency, a Member of Congress, an officer or employee of Congress, or an employee of a Member of Congress in connection with this Federal contract, grant, loan, or cooperative agreement, the undersigned shall complete and submit Standard Form-LLL, "Disclosure Form to Report Lobbying," in accordance with its instructions
3. The undersigned shall require that the language of this certification be included in the award documents for all subawards at all tiers (including subcontracts, subgrants, and contracts under grants, loans, and cooperative agreements) and that all subrecipients shall certify and disclose accordingly.

This certification is a material representation of fact upon which reliance was placed when this transaction was made or entered into. Submission of this certification is a prerequisite for making or entering into this transaction imposed by 1352, title 31, U.S. Code. Any person who fails to file the required certification shall be subject to a civil penalty of not less than \$10,000 and not more than \$100,000 for each such failure.

 Signature of Contractor's Authorized Official
Jennifer Evans, Vice President of Sales & Marketing Name and Title of Contractor's Authorized Official
4/4/17 Date

CONTRACTOR RESPONSIBILITY CERTIFICATION

The Bidder is required to certify compliance with the following contractor responsibility standards by checking appropriate boxes. For purposes hereof, all relevant time periods are calculated from the date this Certification is executed.

	YES	NO
1. Has the firm been suspended and/or debarred by any federal, state or local government agency or authority in the past three years?	<input type="checkbox"/>	<input checked="" type="checkbox"/>
2. Has any officer, director, or principal of the firm been convicted of a felony relating to your business industry?	<input type="checkbox"/>	<input checked="" type="checkbox"/>
3. Has the firm defaulted on any project in the past three (3) years?	<input type="checkbox"/>	<input checked="" type="checkbox"/>
4. Has the firm had any type of business, contracting or trade license revoked or suspended for cause by any government agency or authority in the past three (3) years?	<input type="checkbox"/>	<input checked="" type="checkbox"/>
5. Has the firm been found in violation of any other law relating to its business, including, but not limited to antitrust laws, licensing laws, tax laws, wage or hour laws, environmental or safety laws, by a final unappealed decision of a court or government agency in the past three (3) years, where the result of such adjudicated violation was a payment of a fine, damages or penalty in excess of \$1,000?	<input type="checkbox"/>	<input checked="" type="checkbox"/>
6. Has the firm been the subject of voluntary or involuntary bankruptcy proceedings at any time in the past three (3) years?	<input type="checkbox"/>	<input checked="" type="checkbox"/>
7. Has the firm successfully provided similar products or performed similar services in the past three (3) years with a satisfactory record of timely deliveries or on-time performance?	<input checked="" type="checkbox"/>	<input type="checkbox"/>
8. Does the firm currently possess all applicable business, contractor and/or trade licenses or other appropriate licenses or certifications required by applicable state or local laws to engage in the sale of products or services?	<input checked="" type="checkbox"/>	<input type="checkbox"/>
9. Does the firm have all the necessary experience, technical qualifications and resources, including but not limited to equipment, facilities, personnel and financial resources, to successfully provide the referenced product(s) or perform the referenced service(s), or will obtain same through the use of qualified, responsible subcontractors?	<input checked="" type="checkbox"/>	<input type="checkbox"/>
10. Does the firm meet all insurance requirements per applicable law or bid specifications including general liability insurance, workers' compensation insurance, and automobile liability insurance?	<input checked="" type="checkbox"/>	<input type="checkbox"/>
11. Firm acknowledges that it must provide appropriate documentation to support this Contractor Responsibility Certification if so requested by the City of Gainesville. The firm also understands that the City of Gainesville may request additional information or documents to evaluate the responsibility of firm. Firm agrees to provide such additional information or supporting documentation for this Certification.	<input checked="" type="checkbox"/>	<input type="checkbox"/>

Under the penalty of perjury, the Bidder's authorized representative hereby certifies that all information included in the Contractor Responsibility Certification or otherwise submitted for purposes of determining the Bidder's status as a responsible contractor is true, complete and accurate and that he/she has knowledge and authority to verify the information in this certification or otherwise submitted on behalf of the Bidder by his or her signature below.

Bidder Name: Brasco International, Inc.

Name/Title of person completing this form: Jennifer Evans, Vice President of Sales & Marketing

Signature: 

Date: 4/4/17

**REVISED
BID FORM**

TO: City of Gainesville, Florida
Purchasing, Station 32
200 East University Avenue
Gainesville, Florida 32601

PROJECT: Bus Stop Amenities

BID#: RTSX-180002-DS

BID DUE DATE: April 5, 2017 at 3:00 p.m. local time

CITY'S REPRESENTATIVE (to be contacted for additional information on this proposal):

Name: Daphyne SESCO, Senior Buyer Telephone Number: 352-334-5021
Fax Number: 352-334-3163
Email address: sescoda@cityofgainesville.org

Bidder Legal Name: Brasco International, Inc.

Bidder Alias/DBA: _____

Bidder's Address: 32400 Industrial Drive, Madison Heights, MI 48071

BIDDER'S REPRESENTATIVE (to be contacted for additional information on this proposal):

Name: Tiffany Vanderwijje Telephone Number: 313-393-0393 ext. 203
Date: 4-4-17 Fax Number: 313-393-0499
Email Address: tmckinney@brasco.com

BIDDER'S DECLARATION AND UNDERSTANDING

The undersigned, hereinafter called the Bidder, declares that the only person or parties interested in this Bid are those named herein, that this Bid is, in all respects, fair and without fraud, that it is made without collusion with any official of the City, and that the Bid is made without any connection or collusion with any person submitting another Bid on this contract.

The Bidder further declares that no City Commissioner, other City officer, or City employee directly or indirectly owns more than five percent of the total assets or capital stock of the bidding entity, nor will directly or indirectly benefit by more than five percent from the profits or emoluments of this contract. (For purposes of this paragraph, indirect ownership or benefit does not include ownership or benefit by a spouse or minor child.)

The Bidder further declares that it has carefully examined the Specifications and that this Bid is made according to the provisions and under the terms of the Specifications, which Specifications are hereby made a part of this Bid.

ADDENDA

The Bidder hereby acknowledges receipt of Addenda No.'s 1, 2, _____, to these Specifications.

TAXES

The Bidder agrees that any applicable Federal, State and Local sales and use taxes, which are to be paid by City of Gainesville, are included in the stated bid prices. Since often the City of Gainesville is exempt from taxes for equipment, materials and services, it is the responsibility of the Contractor to determine whether sales taxes are applicable. The Contractor is liable for any applicable taxes which are not included in the stated bid prices.

BID PRICES

The undersigned hereby proposes and agrees, if this bid is accepted, to provide the items and/or service in accordance with the specifications at the prices stated in the Schedule of Items which follows.

The line item unit price(s) of each amenity listed must include all costs that the bidder intends to recover, including freight. It is assumed that the unit price on large orders may decrease due to bulk freight rates and these savings will be passed to the City of Gainesville. All pricing to be firm for the entirety of contract as no price escalations/adjustments will be made.

	Warranty (Years)	Item	Unit Measure	Estimated Annual Minimum	Estimated Annual Maximum	Unit Price (1-5 pieces)	Unit Price (6-10 pieces)
1	1	Kiosk (single-sided)	Each	1	10	\$ 145.00	\$ 145.00
2	5	Bus Stop Pole with Lighting and Lighted Schedule Holder	Each	1	10	\$ 1,650.00	\$ 1,650.00
3	5	Mountable Bus Shelter Lighting	Each	1	10	\$ 1,250.00	\$ 1,250.00
4	1	Bicycle Rack	Each	1	10	\$ 195.00	\$ 195.00
5	1	Trash Receptacles (with liner) - Free Standing (Non-Solar Powered)	Each	1	10	\$ 525.00	\$ 525.00
6	1	Trash Receptacles (with liner) - Mounted Hanging	Each	1	10	\$ 375.00	\$ 375.00
7	1	Liner (Trash Receptacles - Mounted Hanging)	Each	1	10	\$ 65.00	\$ 65.00
8		Bench - Free Standing	Each	1	10	\$	\$
9	1	Shelter Type I (8.5' x 4.5' x 8')	Each	1	10	\$ 7,950.00	\$ 7,950.00
10	1	Bench for Type I Shelter	Each	1	10	\$ 495.00	\$ 495.00
11	1	Shelter Type II (12' x 4.5' x 8')	Each	1	10	\$ 9,425.00	\$ 9,425.00
12	1	Bench for Type II Shelter	Each	1	10	\$ 595.00	\$ 595.00
13	1	Shelter Type III (16' x 4.5' x 8')	Each	1	10	\$ 11,525.00	\$ 11,525.00
14	1	Bench for Type III Shelter	Each	1	10	\$ 695.00	\$ 695.00

The award will be based upon the total sum of both columns above. No additional multipliers or quantities will be used.

NOTE: THE CITY RESERVES THE RIGHT TO ADD OR DELETE LOCATIONS, SERVICES, ITEMS, MATERIALS OR ANY OTHER ASPECTS OF CONSIDERATION FROM THIS CONTRACT SHOULD IT BE IN THE BEST INTEREST OF THE CITY. THE CONTRACT PRICE WILL BE ADJUSTED ACCORDINGLY UPON MUTUAL NEGOTIATION AND AGREEMENT OF THE CONTRACTOR AND THE CITY'S REPRESENTATIVE.

LOCAL PREFERENCE (check one) - NOT APPLICABLE

Local preference is requested YES NO

A copy of your Business tax receipt and Zoning Compliance Permit should be submitted with your bid if a local preference is requested.

QUALIFIED LOCAL SMALL BUSINESS STATUS (check one)

Is your business qualified as a Local Small Business in accordance with the City of Gainesville Small Business Procurement Program? (Refer to Definitions) YES NO

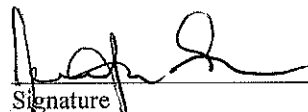
SIGNATURE ACKNOWLEDGES THAT: (check one)

- Bid is in full compliance with the Specifications.
- Bid is in full compliance with specifications except as specifically stated and attached hereto.

Signature also acknowledges that Bidder has read the cur Federal Transit Administration requirements (refer to the Technical Specifications) and agrees that the provisions thereof shall apply to this bid.

(CORPORATE SEAL)

ATTEST:

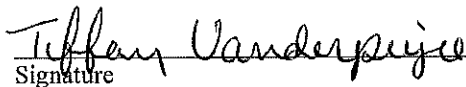


Signature

By: Jennifer Evans

Title: Vice President of Sales & Marketing

BIDDER:



Signature

By: Tiffany Vanderpijpe

Title: Sales Account Manager

TABULATION OF SUBCONTRACTORS AND MATERIAL SUPPLIERS

The Undersigned states that the following is a complete list of the proposed Subcontractors and Material Suppliers on this Project and the class of work to be performed by each, and that such list will not be added to nor altered without written consent of the City of Gainesville. This form should be completed and submitted with the bid.

Please TYPE or PRINT legibly. Use additional sheets as necessary.

SUBCONTRACTORS

Company Name	Company Phone Number	Class of Work	% or Price of Work	Disadvantaged Business Entity
1. Cargo Transit	936-894-1161	Freight	\$3,171.00	<input checked="" type="checkbox"/> Yes <input type="checkbox"/> No
2.				<input type="checkbox"/> Yes <input type="checkbox"/> No
3.				<input type="checkbox"/> Yes <input type="checkbox"/> No
4.				<input type="checkbox"/> Yes <input type="checkbox"/> No
5.				<input type="checkbox"/> Yes <input type="checkbox"/> No

MATERIALS SUPPLIERS

Company Name	Company Phone Number	Type of Supply/Material	% or Price of Materials	Disadvantaged Business Entity
1. The William Bonnell Company	770-252-0154	Aluminum	40%	<input type="checkbox"/> Yes <input checked="" type="checkbox"/> No
2. Ex-Cell Kaiser Manufacturing & Design	847-451-0458	Trash Receptacles	6%	<input type="checkbox"/> Yes <input checked="" type="checkbox"/> No
3. Sunviz Power & Battery	888-887-3986	Lighting Components	2%	<input type="checkbox"/> Yes <input checked="" type="checkbox"/> No
4. Online Solar, LLC	888-680-2427	Solar Components	2%	<input type="checkbox"/> Yes <input checked="" type="checkbox"/> No
5. Diamond Manufacturing	800-233-9601	Aluminum	25%	<input type="checkbox"/> Yes <input checked="" type="checkbox"/> No

Bidding Company Name: Brasco International, Inc.

Form Completed By: Tiffany Vanderpuije

Date: 4-4-17

Title: Sales Account Manager

TABLATION OF SUBCONTRACTORS AND MATERIAL SUPPLIERS

The Undersigned states that the following is a complete list of the proposed Subcontractors and Material Suppliers on this Project and the class of work to be performed by each, and that such list will not be added to nor altered without written consent of the City of Gainesville. This form should be completed and submitted with the bid.

Please TYPE or PRINT legibly. Use additional sheets as necessary.

SUBCONTRACTORS

Company Name	Company Phone Number	Class of Work	% or Price of Work	Disadvantaged Business Entity
1.				<input type="checkbox"/> Yes <input checked="" type="checkbox"/> No
2.				<input type="checkbox"/> Yes <input checked="" type="checkbox"/> No
3.				<input type="checkbox"/> Yes <input checked="" type="checkbox"/> No
4.				<input type="checkbox"/> Yes <input checked="" type="checkbox"/> No
5.				<input type="checkbox"/> Yes <input checked="" type="checkbox"/> No

MATERIALS SUPPLIERS

Company Name	Company Phone Number	Type of Supply/Material	% or Price of Materials	Disadvantaged Business Entity
1. Central Steel & Wire Company	800-462-1950	Aluminum	25%	<input type="checkbox"/> Yes <input checked="" type="checkbox"/> No
2.				<input type="checkbox"/> Yes <input checked="" type="checkbox"/> No
3.				<input type="checkbox"/> Yes <input checked="" type="checkbox"/> No
4.				<input type="checkbox"/> Yes <input checked="" type="checkbox"/> No
5.				<input type="checkbox"/> Yes <input checked="" type="checkbox"/> No

Bidding Company Name: Basico International, Inc.

Form Completed By: Tiffany Vandergriff

Date: 4/1/17

Title: Sales Account Manager

DRUG FREE WORKPLACE FORM

The undersigned vendor in accordance with Florida Statute 287.087 hereby certifies that

Brasco International, Inc.

does:

(Name of Business)

1. Publish a statement notifying employees that the unlawful manufacture, distribution, dispensing, possession, or use of a controlled substance is prohibited in the workplace and specifying the actions that will be taken against employees for violations of such prohibition.
2. Inform employees about the dangers of drug abuse in the workplace, the business's policy of maintaining a drug-free workplace, any available drug counseling, rehabilitation, and employee assistance programs, and the penalties that may be imposed upon employees for drug abuse violations.
3. Give each employee engaged in providing the commodities or contractual services that are under bid a copy of the statement specified in subsection (1).
4. In the statement specified in subsection (1), notify the employees that, as a condition of working on the commodities or contractual services that are under bid, the employee will abide by the terms of the statement and will notify the employer of any conviction of, or plea of guilty of nolo contendere to, any violation of Chapter 893, Florida Statutes, or of any controlled substance law of the United State or any state, for a violation occurring in the workplace no later than five (5) days after such conviction.
5. Impose a sanction on, or require the satisfactory participation in a drug abuse assistance or rehabilitation program if such is available in the employee's community, by any employee who is so convicted.
6. Make a good faith effort to continue to maintain a drug-free workplace through implementation of this section.

As the person authorized to sign the statement, I certify that this firm complies fully with the above requirements.

Tiffany Vanderveij
Bidder's Signature

4-4-17
Date

ADDENDUM NO. 1**Date:** March 6, 2017**Bid Date:** April 5, 2017
3:00 P.M. (Local Time)**Bid Name:** Bus Stop Amenities**Bid No.:** RTSX-180002-DS

NOTE: This Addendum has been issued to the holders of record of the specifications.

The original Specifications remain in full force and effect except as revised by the following changes which shall take precedence over anything to the contrary:

Question submittal deadline is March 23, 2017.

1. Initial questions received/City's response:

Question1: Closing date on the first two pages says April 5th 2017 – page 34 (Bid Form) says that the due date is March 29th. Can you please confirm which it is and possibly issue a new Bidform with any addendum?

Answer1: **The bid due date is April 5, 2017. A revised Bid Form page 34 is included for your convenience.**

Question2: Bonding is referenced on page 5 to refer to Special provisions section. When we look under special provisions there is no mention of bonding. Can we assume that as there is no fixed or minimum contract value there is no bonding required?

Answer2: **That is correct, there is no bonding requirement.**

Question3: The bid states that the shelter shall be powder coated but no color has been stated. Is there a preferred color?

Answer3: **RAL 7043 Traffic Grey.**

Question4: A domed or barrel vaulted roof is specified. Is there a preferred colour or material requested for the roof? Solid polycarbonate or fluted?

Answer4: **RAL 7043 Traffic Grey. Aluminum metal roof.**

Question5: When bidding the bus stop pole with lighting and lighted timetables are these to be solar or hard wired?

Answer5: **Solar.**

ACKNOWLEDGMENT: Each Proposer shall acknowledge receipt of this Addendum No. 1 by his or her signature below, **and shall attach a copy of this Addendum to its proposal.**

CERTIFICATION BY PROPOSER

The undersigned acknowledges receipt of this Addendum No. 1 and the Proposal submitted is in accordance with information, instructions, and stipulations set forth herein.

PROPOSER: Brasco International, Inc.
BY: Tiffany Wondolyszes
DATE: 4-4-17

ADDENDUM NO. 2



Date: March 28, 2017

Bid Date: April 5, 2017
3:00 P.M. (Local Time)

Bid Name: Bus Stop Amenities

Bid No.: RTSX-180002-DS

NOTE: This Addendum has been issued to the holders of record of the specifications.

The original Specifications remain in full force and effect except as revised by the following changes which shall take precedence over anything to the contrary:

Question submittal deadline has passed; no additional questions will be answered.

1. Initial questions received/City's response:

Question1: Does the City of Gainesville require stamped and sealed drawings to be included in bid proposal or after awarded contract?

Answer1: Before or after is fine.

Question2: Are there any bond requirements? If so, please specify.

Answer2: There are no bond requirements for this bid.

Question3: Are there any DBE requirements? If so, please specify.

Answer3: Our DBE goal is 1.5%. If bidder is using subcontractors, then they are highly encouraged to do so with a DBE to help the City reach its goal.

Question4: Under 2.6 of Section IV, it says, "RTS requires 5 full size drawings of each shelter type and amenity with 3 digitally signed CDs." Please clarify what is meant by "full size drawings."

Answer4: CDs with the "to scale" drawings should be sufficient.

Question5: Is there a preferred column size for each shelter type?

Answer5: No, but this may be determined by shelter calculations.

Question6: Shall columns be round or square for shelter types?

Answer6: It does not matter but round is the preferred option.

Question7: Are there any drawings and/or photos of the bus shelters specified?

Answer7: Several photos of shelters have been included on pages 5-8 of this document.

Question8: Does the City of Gainesville want Herringbone grillwork with these shelters as with previous shelters? Or, shall the wall sections be fully perforated metal?

Answer8: Either way is fine but we prefer to be consistent with previous shelters.

Question9: Is there a preferred roof material for both the Dome and Barrel roof options?

Answer9: Metal preferred but same material as previous shelter is acceptable.

Question10: Under 3.1.4.2 Roof, it specifies "welded J-hook on top corners of shelter, please clarify where the J-hook shall be located in regards to the roof.

Answer10: Hooks to be able to lift shelter in case of emergencies, any location that you considered appropriate to do so in that area.

Question11: Is there a preferred bench material?

Answer11: Metal.

Question12: Shall seat dividers be included in bench?

Answer12: Yes.

Question13: Will the anti-vagrant bars be accepted if bolted into the concrete and not the bench seat?

Answer13: Yes.

Question14: Under 3.3 Trash Receptacles, is a dome or lid preferred for the 20 gallon column mount option?

Answer14: Dome.

Question15: Will the 3.4 Bicycle Racks specified be accepted in powder coated Aluminum?

Answer15: Yes.

Question16: In regards to 3.5 Solar Lighting, does the City of Gainesville prefer a rigid or flex solar panel?

Answer16: No preference.

Question17: What is the preferred runtime for the solar lighting in the shelter?

Answer17: No preferred runtime.

Question18: Industry standard is minimum 2 foot candles at ground level and a 1.25 ALR on the solar calculator, is this your preferred output?

Answer18: Yes.

Question19: In regards to 3.5 Solar Lighting "Other Lighting Features" what size schedule holder is preferred for the bus stop poles?

Answer19: 8.5" x 14".

Question20: To clarify, you want a push-button activation for the bus shelter and the bus stop pole?

Answer20: Yes.

Question21: In order to maximize the amount of advertising revenue that Gainesville Regional transit would receive from each individual style of amenity, would you be open to the possibility of having separate revenue amounts offered by potential vendors for each? For example: One amount for advertising revenue for shelters and separate advertising revenue amount for the benches etc?

Answer21: No.

Question22: Asking for separate numbers would be more lucrative for the city and also you know the exact revenue share breakdown for each piece of furniture. Please confirm if this would be possible?

Answer22: No.

Question23: Regarding Price Sheet: The Bid Price sheet line Items 8, 10, 12, and 14 are for benches. Items 10, 12, 14 are clearly for the shelters. *What is the bench specification for line item 8?*

Answer23: Line Item 8 is not applicable, please strike through or ignore it on the price sheet.

Question24: Regarding Price Sheet: Bus Stop Pole with schedule holder. *What size document(s) should the scheduled holder accommodate?*

Answer24: 8.5" x 14".

Question25: Regarding Section 3. Amenity Specifications: 3.2 and 3.3 – Specifications for the benches and trash do not comply with the Streetscape Design and Technical Standards for the City of Gainesville. *Please verify the IFB specifications for the benches and trash are accurate and must not meet the standards in the aforementioned reference documentation.*

Answer25: The CRA requirements for benches (DuMor #Bench 58, Color: Black) and trash receptacles (DuMor #84-32, 32 gallon, Color: Black) are not applicable. However, we do want benches and trash receptacles similar in appearance to the specified brand.

Question26: Regarding Section 3.5 Solar Lighting: In our experience, the most reliable system for controlling the lighting inside a shelter is the use of a real time clock. This real-clock system allows for lighting to be turned off for a number of hour after bus service stops and on again just before bus service resumes in the morning. Please confirm if a real time light controller based on a day/date/time clock can be used to control the interior lighting in response to this RFP.

Answer26: No time clocks.

Question27: Industry standard lighting measurements use peak, average, and minimum light output foot candle readings in a given area of the shelter, for example: 5 fc at peak, 2.5 fc average and 0.1 fc in an area of 40 square feet measured at bench height. Please confirm that solar shelter lighting is required to meet these minimum light output specifications.

Answer27: Yes.

Question28: A self-test feature allows maintenance staff to check the systems operation, and state of health of shelter solar lighting 24/7. Please confirm if a self-test feature is required for the solar lighting system.

Answer28: Yes.

Question29: Regarding solar lighting safety, we recommend that solar lighting systems shall be UL (Underwriters Laboratory) certified, or certified by another Nationally Recognized Testing Laboratory (NRTL) Program certification. Products without a single system UL or other NRTL certification may have all major electrical components (defined as solar panel(s), batteries, LEDs and controller) with a NRTL listing. Please consider adding this requirement to the specification for your solar lighting system

Answer29: This certification is not a requirement. The current contractor, Tolar Manufacturing Company, is providing "PV-Stop" by urbansolar. Bidders should be able to provide a similar product.

Question30: To document that solar lighting systems meet minimum performance criteria, please confirm that submittals must include:

- a. Detailed autonomy and battery reserve calculations in their proposal response to demonstrate the proposed system meet or exceed minimum autonomy/battery reserve of 5.
- b. Calculations based on the worst available solar insolation data period for December in the last 20 years in Gainesville, FL.
- c. Detailed ALR (Array to Load Ratio) calculations based on the worst solar isolation period of the year (December) for Gainesville and still adhering to the 1.25 Minimum ALR.
- d. Photometric light plot drawings to provide confirmation of lighting level output specifications.

Answer30: A product that meets the current contractor's "PV-Stop" solar lighting specifications, at a minimum, would be sufficient.

ACKNOWLEDGMENT: Each Proposer shall acknowledge receipt of this Addendum No. 2 by his or her signature below, **and shall attach a copy of this Addendum to its proposal.**

CERTIFICATION BY PROPOSER

The undersigned acknowledges receipt of this Addendum No. 2 and the Proposal submitted is in accordance with information, instructions, and stipulations set forth herein.

PROPOSER: Brasco International, Inc.
BY: Tiffany Vandergriff
DATE: 4-4-17







