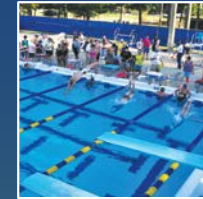




Parks, Recreation and Cultural Affairs
A **CAPRA** Accredited Agency



It Starts in Parks!

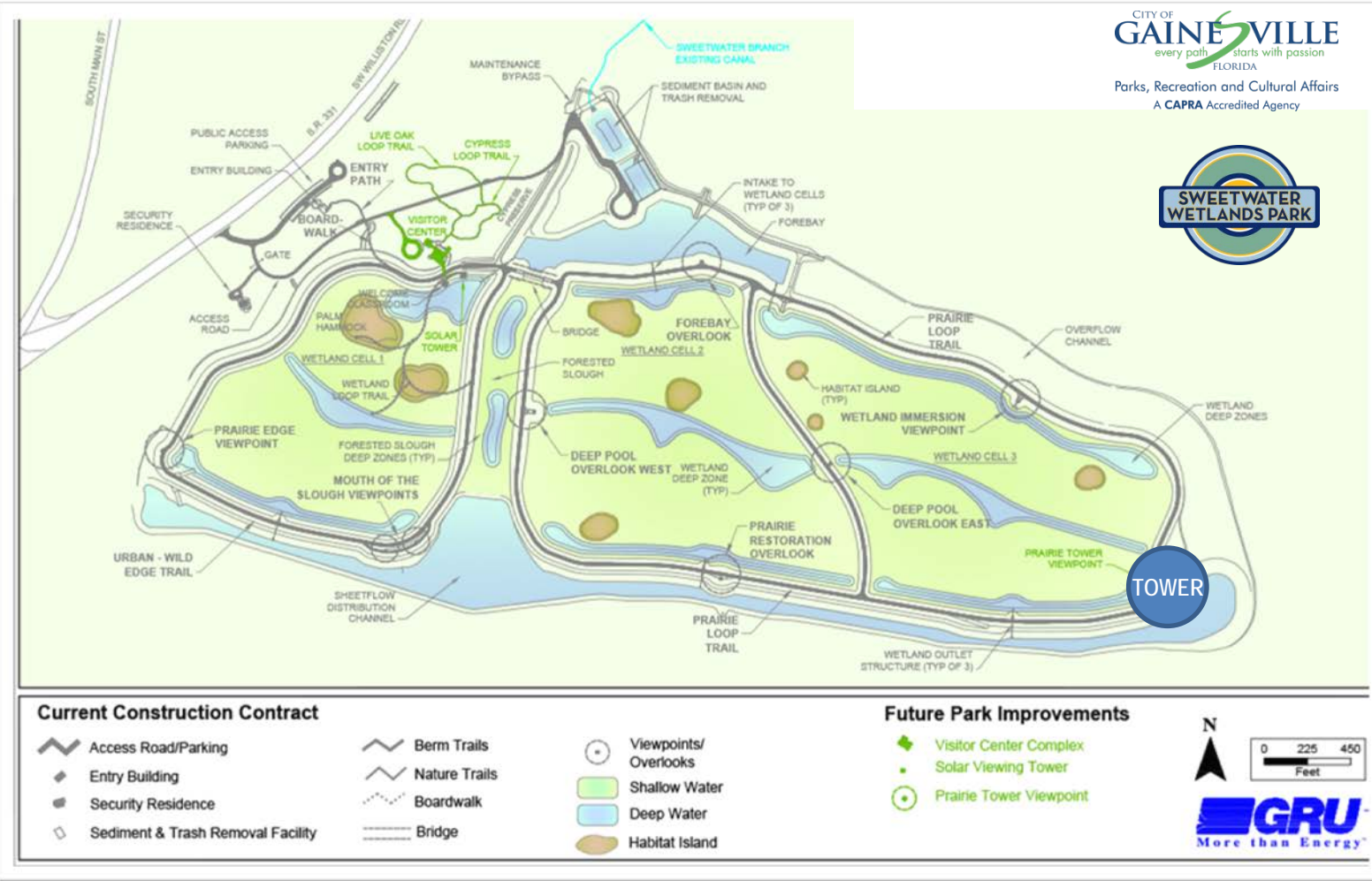
Wild Spaces Public Places

Alachua County Joint

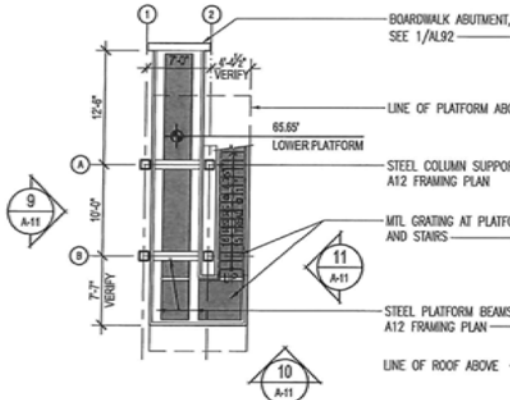
Project Grant Application

Presentation to the Gainesville City Commission
March 16, 2017

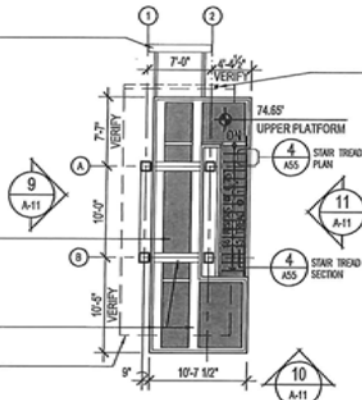
Sweetwater Wetlands Park Prairie Tower



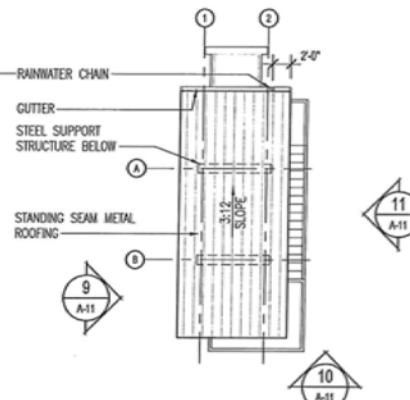
Sweetwater Wetlands Park Prairie Tower



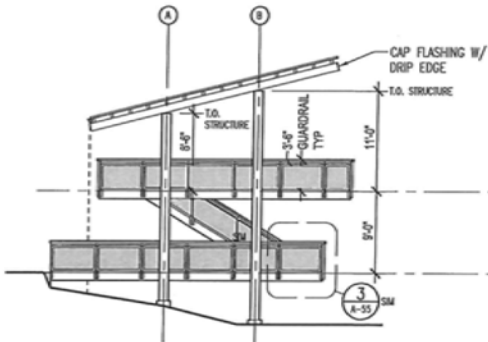
5 PRAIRIE TOWER - LOWER PLATFORM
SCALE: 1/8" = 1'-0"



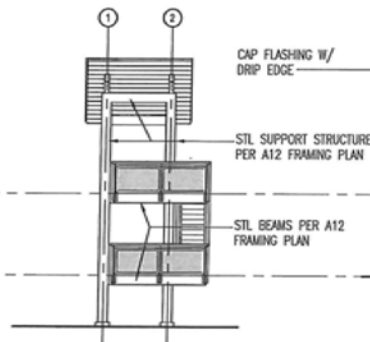
6 PRAIRIE TOWER - UPPER PLATFORM
SCALE: 1/8" = 1'-0"



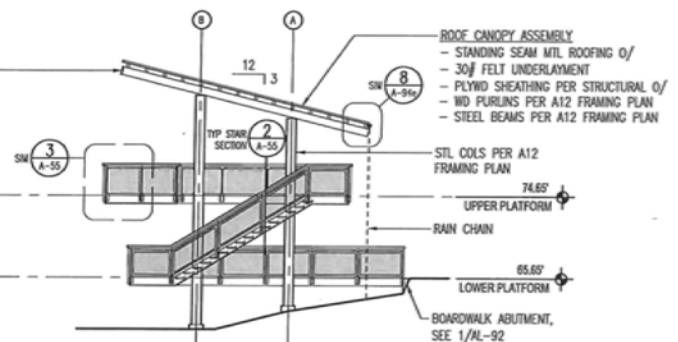
7 PRAIRIE TOWER - ROOF PLAN
SCALE: 1/8" = 1'-0"



9 PRAIRIE TOWER - WEST ELEVATION
SCALE: 1/8" = 1'-0"

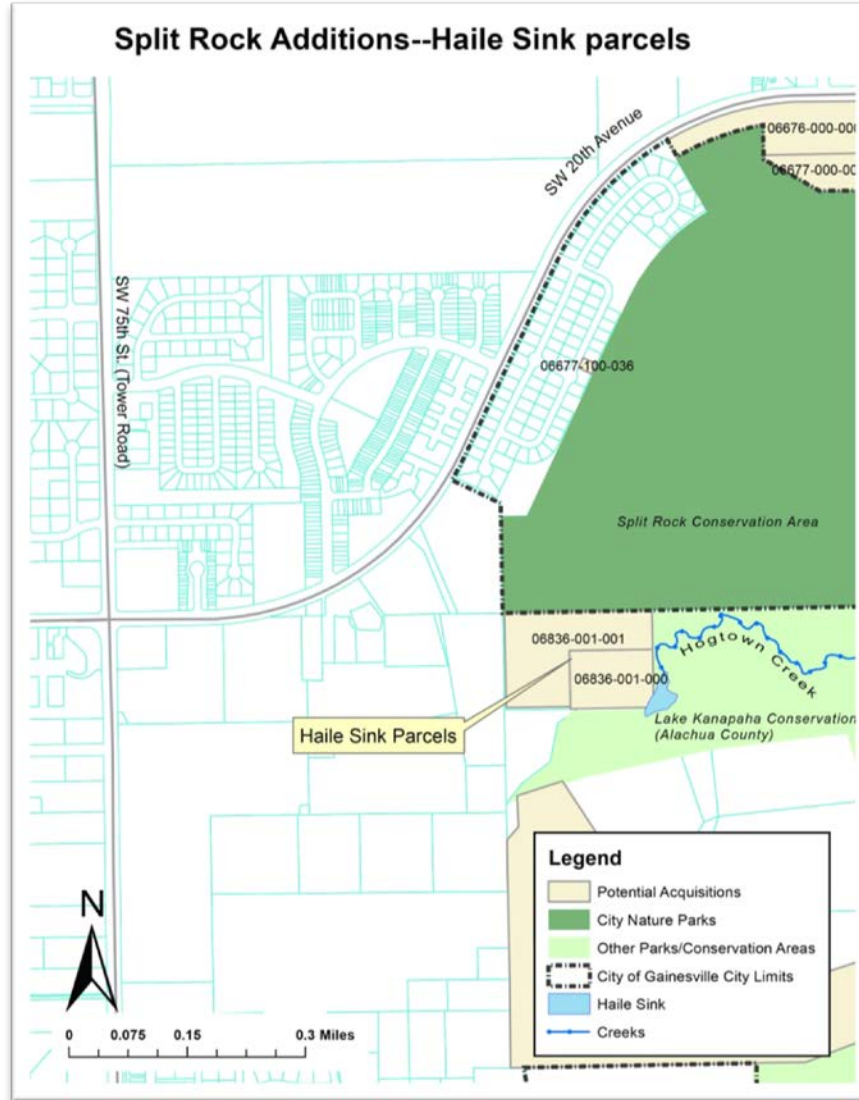


10 PRAIRIE TOWER - SOUTH ELEVATION
SCALE: 1/8" = 1'-0"

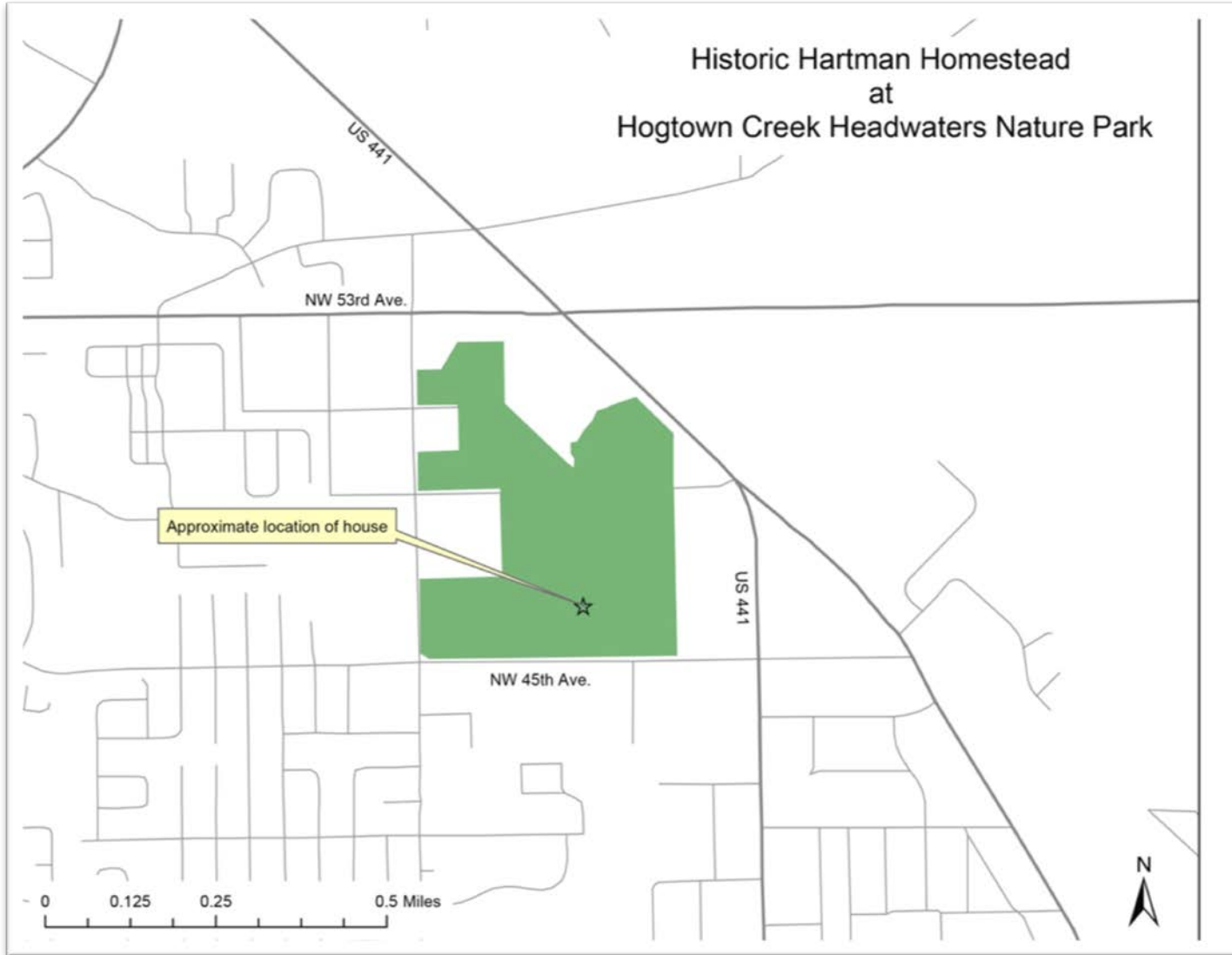


11 PRAIRIE TOWER - EAST ELEVATION
SCALE: 1/8" = 1'-0"

Improvements to Split Rock Preserve



Hogtown Creek Headwaters Nature Park



Hartman House



NORTH ELEVATION

SCALE = 1/4" = 1' - 0"

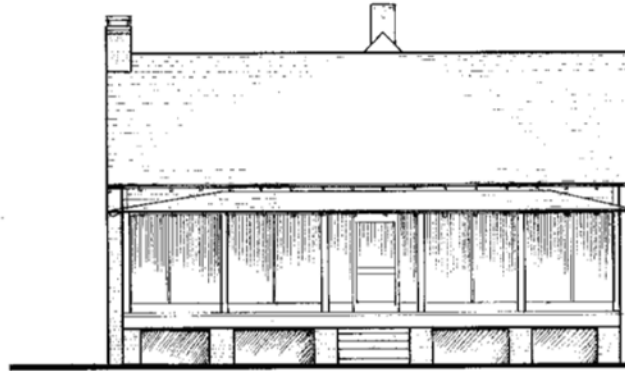
JAY REEVES & ASSOCIATES, INC.
ARCHITECTS AND DESIGNERS
22 NORTHEAST 1ST STREET
SUITE 201
WASATCH BLVD. SUITE 200
PLACEMEN
FLORIDA
32609
PHONE 352.379.1234
FAX 352.380.0489

"HISTORIC HARTMAN HOUSE"
AT HOGTOWN CREEK HEADWATERS NATURE PARK
EVALUATION REPORT

AUG. 18, 2010

A-2

Hartman House



WEST ELEVATION
SCALE = 1/2" = 1' - 0"



EAST ELEVATION

JAY REEVES & ASSOCIATES, INC.
ARCHITECTS AND DESIGNERS
712 NORTHEAST 17TH STREET
SUITE 200
GAINESVILLE, FLORIDA 32609
PHONE: 352.336.1100 FAX: 352.336.0889

"HISTORIC HARTMAN HOUSE"
AT HOGTOWN CREEK HEADWATERS NATURE PARK
EVALUATION REPORT

A-3

Hartman House



SOUTH ELEVATION

SCALE = 1/2" = 1'-0"

JAY REEVES & ASSOCIATES, INC.
ARCHITECTS AND DESIGNERS
325 UNIVERSITY AVENUE, SUITE 100
GAINESVILLE, FLORIDA 32601
PHONE: 352.371.1235 FAX: 352.366.5889

"HISTORIC HARTMAN HOUSE,"
AT HOGTOWN CREEK HEADWATERS NATURE PARK
EVALUATION REPORT

ALLS 10, 2010

A-4

Thank you for your attention.

Questions?