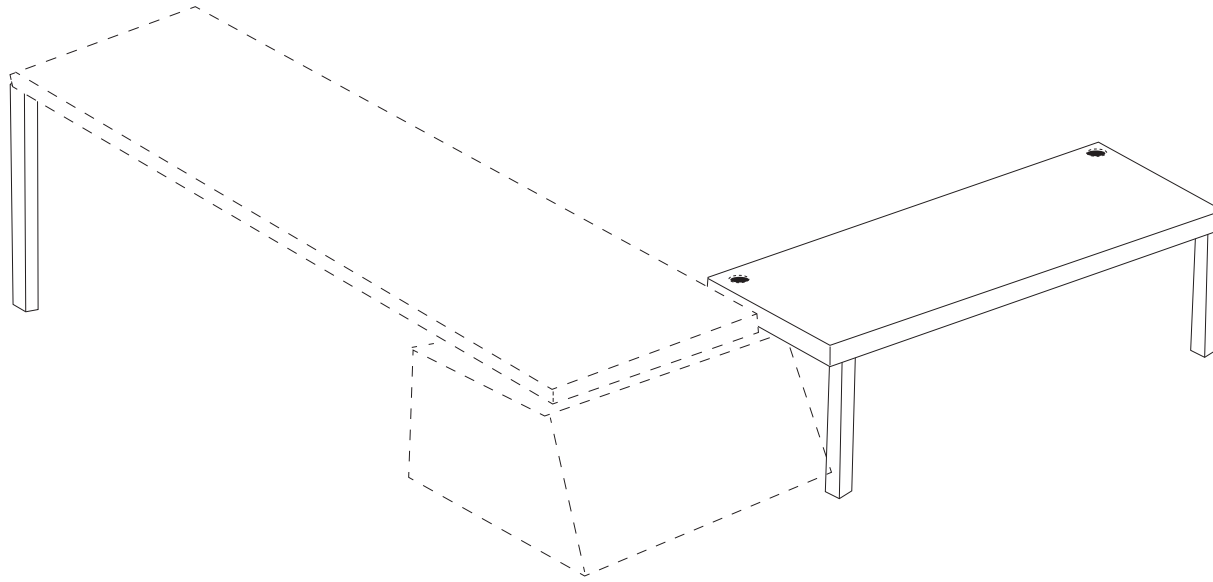


DETACHABLE TURRET STEP

GAINESVILLE P.D. / POINTER



The drawings shown in this report are the exclusive property of Alpine Armoring Inc. Its contents are strictly confidential and shall not be partially or completely reproduced, submitted or revealed for any reason without the consent of Alpine Armoring. All drawings and dimensions are approximate and may be modified to meet the final requirements of the final design.

ORIGINATOR DEPT.	DATE	DRAWING TITLE	DRAWING #	PREPARED BY	APPROVED REV.
CAD & ENGINEERING	Jan. 13, 2016	Detachable Turret Step	ADT-1	Alvaro V.	Patrick Shae

